

## JALOUSIE

### Functions

Opening system for Jalousie casements featuring a fixed frame on which are mounted cremone adjustable slats.

Jalousie windows are ideal for verandas, terraces and other places where the user wishes to be able to ventilate the interior without opening the window.

### Technical Features

The system consists of a set of accessories that combined together enable operating the adjustable slats.

The window slats can be in aluminium or glass, depending on the application. Up to 6 can be moved with the cremone. For casements with more than 6 slats you need to use 2 cremones.

Components of the system (in the case of 6 slats)

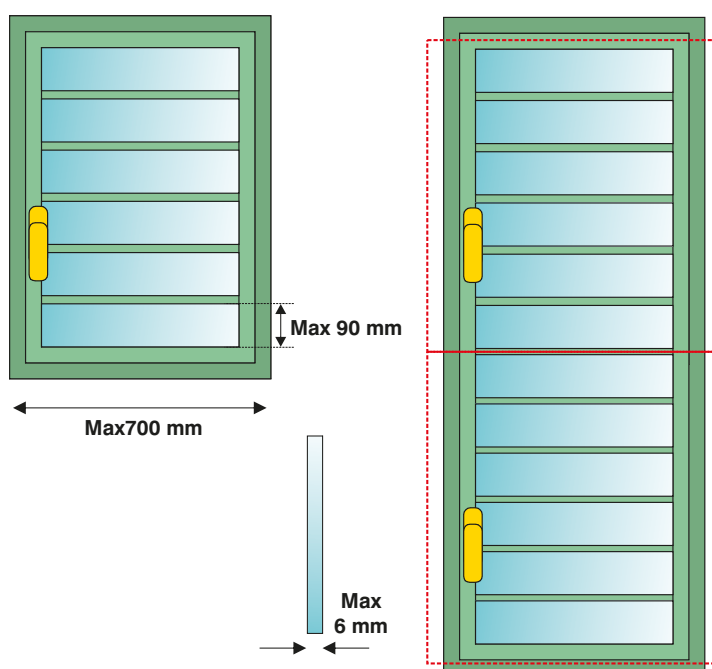
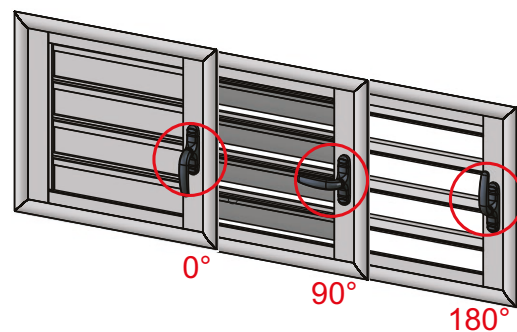
- UNICA Cremone (no. 1 pc)
- Cam (no. 12 pcs)
- Slat container (no. 6 pcs)
- Pack screw (no. 12 pcs)
- Transmission pin (no. 12 pcs)

The cremone handle can be set to adjust the slats to fully closed, ventilation, or fully open.

- Cremone 0° - Slats closed
- Cremone 90° - Slats open in ventilation position
- Cremone 180° - Slats fully open

### Possible dimensions

- Maximum glass thickness 6 mm
- Maximum distance between slats 90 mm
- Maximum sash width 700 mm





## UNICA CREMONE FOR JALOUSIE

### Functions

Specific Cremone for the Jalousie system.

### Technical Features

Controls opening the slats that depending on the position of the pull handle may be in the closed, ventilation or fully open position.

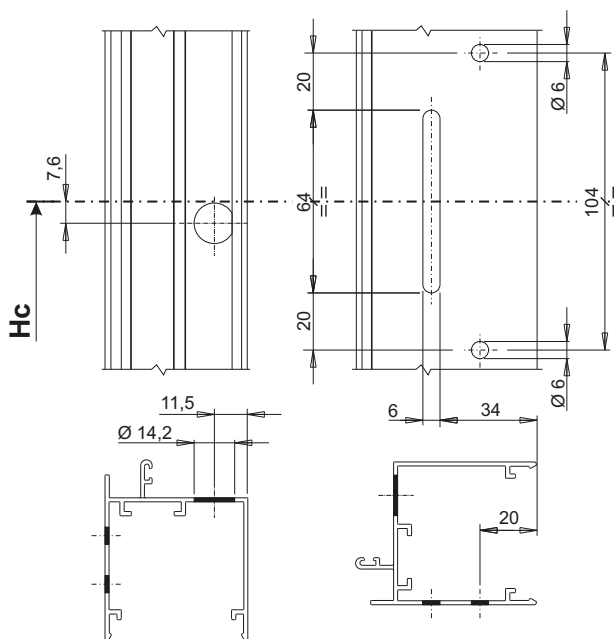
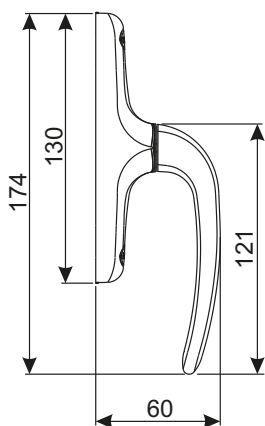
### Materials

Handle in die-cast aluminium

Case, gear and sliding parts in zinc plated zamak

Polyamide plate

Stainless steel fixing screws



Item code	Description	Operation	Base Raw	Anodised Elox	Painted	Trend/Gold Brass	Pieces per pack
01987	UNICA CREMONE FOR JALOUSIE	one-way			X		10

## JALOUSIE COMPONENTS

### Functions

Operated by the Unica Cremona, the Jalousie components enable operating the hardware and opening and closing the slats.

### Technical Features

The system must be connected with an aluminium rod for the European groove and is composed of:

#### 1 - Cam

Connected to the rod via the transmission pins it allows the slats to move. Made of punched aluminium.

#### 2 - Slat container (pair)

Sized to accommodate the swivel slat.

Blocks in black painted die-cast zamak and washers in black polyamide.

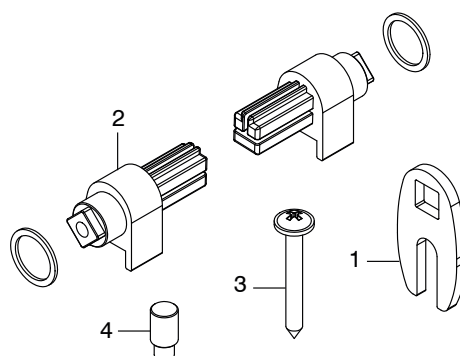
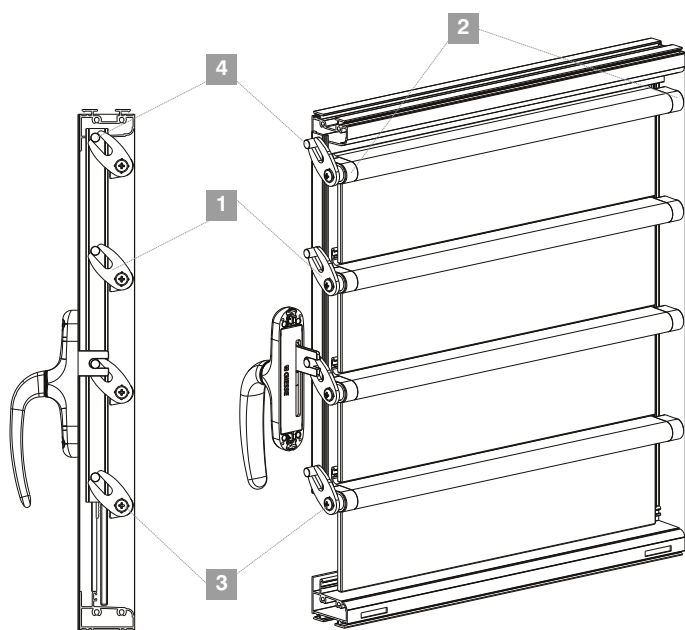
#### 3 - Slat-cam packing screw

Enables fixing together the cam and the slat container. Made of stainless steel.

#### 4 - Transmission pin

It transmits the movement from the cremone to the connection rod and to the cam.

Made of stainless steel.



Item code	Description	Note	Base Raw	Anodised Etch	Painted	Trend/Gold Brass	Pieces per pack
01984	CAM FOR JALOUSIE SYSTEM (1)		X				100
01985	SLAT CONTAINER (RIGHT AND LEFT) (2)	pair			X		100
01986	SLAT-CAM PACKING SCREW (3)		X				100
01988	DRIVE PIN (4)		X				100

## CONFIGURATION EXAMPLE

Jalousie Configuration (max. 6 slats)



Maximum sash width [mm]	700	-
<b>Cremona</b>	01987	N° 1
<b>Cam</b>	01984	N° 12
<b>Slat container</b>	01985	N° 6
<b>Screw</b>	01986	N° 12
<b>Drive pin</b>	01988	N° 12