

PROVENCE

Functions

Fastening system with cremone and rods with front fixing, designed for making fastening mechanisms for inward or outward opening casement windows, applicable on profiles of any material, aluminium, wood, PVC.

Technical Features

Provence is ideal for creating old-style windows, thanks to its careful design featuring rods in full view.

Applicable on both inward-opening and outward-opening casements:

- Inward opening casement: flush and overlap (7-10 mm)
- Outward opening casement: both with and without frame, flush inside and overlap (7-10 mm).

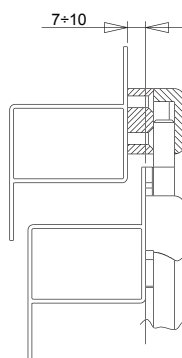
Making a casement with PROVENCE requires:

- Cremone (1 pc)
- Lock rod (2 pcs)
- Bolt tips (2 pcs)
- Strikers (2 pcs)

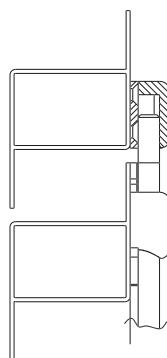
All the elements are revealed and specific to this system.



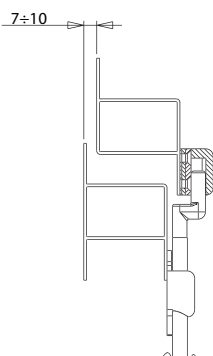
Inward opening with overlap



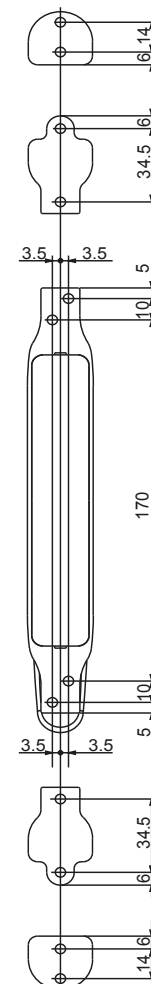
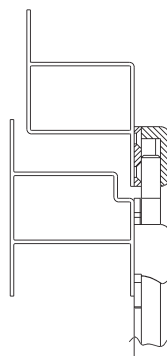
Flush inward opening

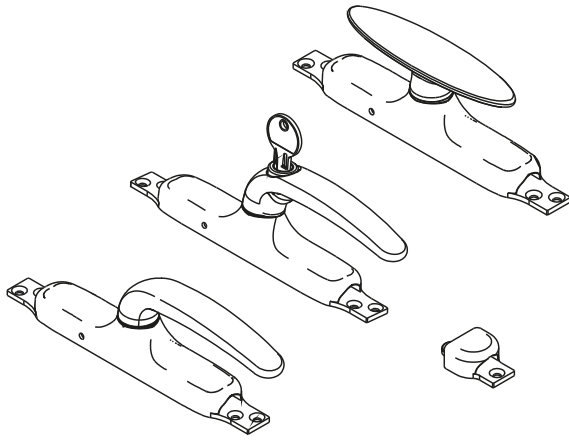


Outward opening casement with overlap



Flush outward opening casement





PROVENCE CREMONE

Functions

Lever Cremone, reversible, with closing rods in view, for front mounting for windows and shutters

Technical Features

Front fixing with self-tapping screws.

All the fixing screws are concealed to enhance the design of the cremone and of the entire fastening mechanism.

The necessary machining consists of just holes with a single drill bit (Ø2.7mm in the case of aluminium). We recommend using the dedicated template.

Provence has a stroke of 18 mm, which allows an effective grip in the wall or in its strikers. The cremone package includes two rod guides and two pins for connection with the locking rods.

Materials

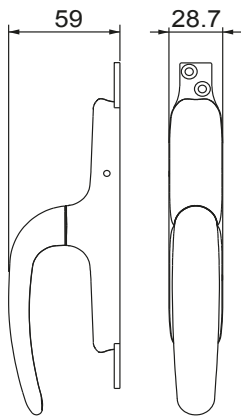
Handle in die-cast aluminium

Cremone case, gear, racks and rod guide in die-cast zamak
Trip spring, screws and grub screw, pre-assembled, in stainless steel

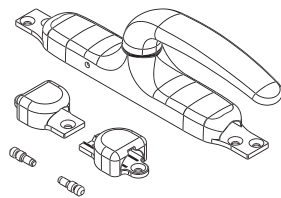
Liners in white polyamide

Extruded aluminium rod connecting blocks

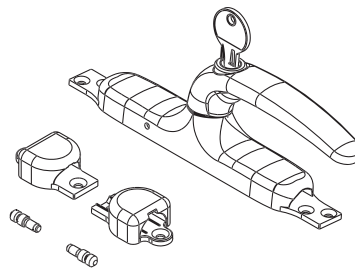
Rod connection terminal and fixing screws in zinc plated steel



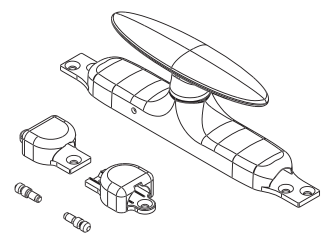
Lever pull handle
Provence Cremone



Provence Cremone, lever pull
handle with key

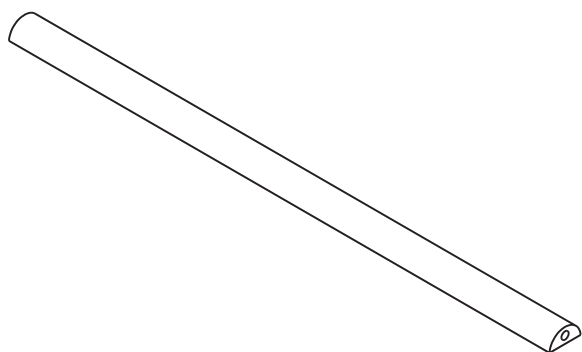


"T" pull handle Provence
Cremone



Item code	Description	Version	Pull handle	Base Raw	Anodised Elox	Painted	Trend/Gold Brass	Pieces per pack
01160	LEVER PULL HANDLE PROVENCE CREMONE		Unica	X		X		10
01161	PROVENCE CREMONE, LEVER/KEY PULL HANDLE	Key	Unica	X		X		10
01162	T PULL HANDLE PROVENCE CREMONE		T	X		X		10

RODS



Functions

Connection rod in view for closing the Provence Cremone.

Technical Features

They are available in different lengths, to be cut to size on the basis of the position of the Cremone and the dimensions of the sash. At its ends you are to add the pin for connecting to the Cremone (included with the latter) and the fastening bolt tip, to be ordered separately.

Materials

Extruded aluminium

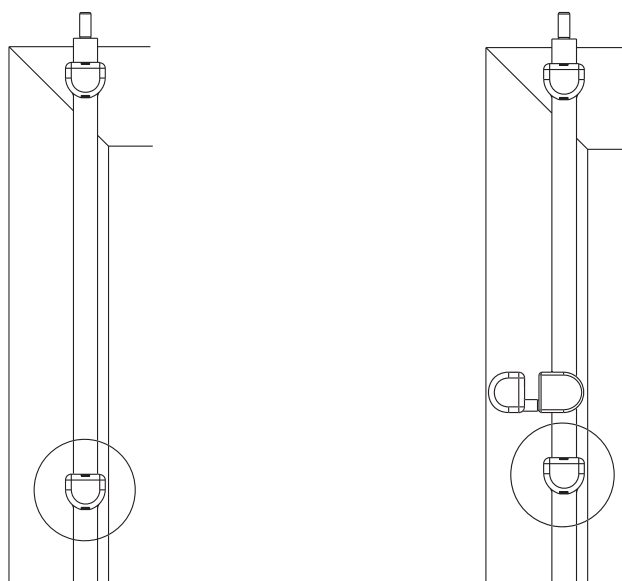
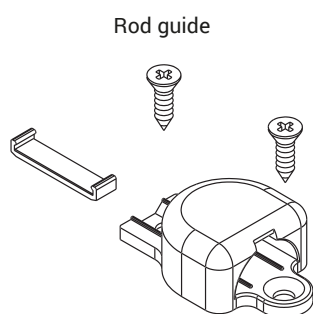
Rod Guide

Additional element to be ordered separately if the casement is particularly large and you want to prevent the risk of the rod flexing. Recommended for use near the third fastener, if fitted, in order to strengthen it.

Rod guide in die-cast zamak.

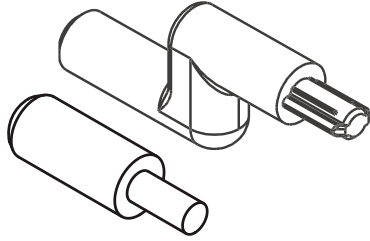
Zinc plated steel screws.

Clearance reduction element made of polyamide.



Item code	Description	Length	Base Raw	Anodised Elox	Painted	Trend/Gold Brass	Pieces per pack
01297	PROVENCE FASTENING MECHANISM ROD	1600 mm	X		X		10
01298	PROVENCE ROD GUIDE		X		X		10
01300	PROVENCE FASTENING MECHANISM ROD	1000 mm	X		X		10
01304	PROVENCE FASTENING MECHANISM ROD	1250 mm	X		X		10

PROVENCE BOLT TIPS



Functions

Straight terminals for top and bottom closing of the Provence cremone

Technical Features

Available in two versions, straight and offset.

The straight terminal is used in all flush situations or when combined with strikers with a plate and their shims that always go into flush conditions.

The offset terminal is used when there is an overlap between the sash and frame.

They are engaged at the end of the rod, with a hammer, with the aid of the specific kit that has the purpose of preventing the hammer from accidentally chipping the surface finish of the rods or blocks of the third fastening mechanisms.

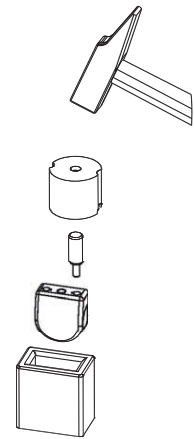
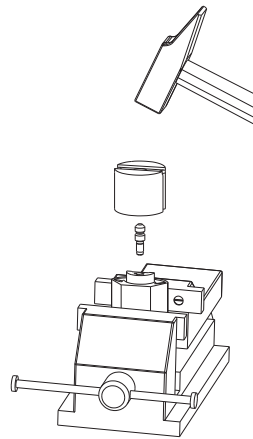
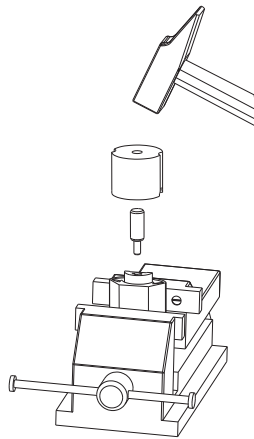
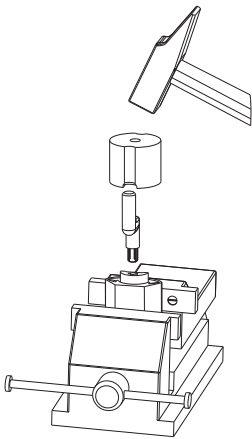
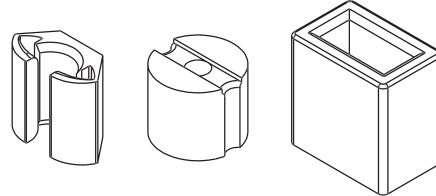
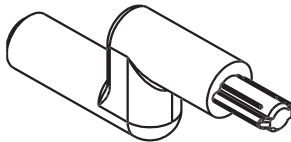
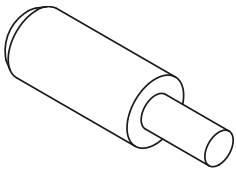
Materials

Stainless Steel

Straight terminal

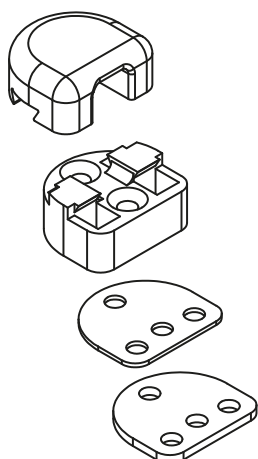
Offset terminal

Provence bolt tip insertion kit



Item code	Description	Offset terminal	Opening	Base Raw	Anodised Elox	Painted	Trend/Gold Brass	Pieces per pack
02135	PROVENCE STRAIGHT TERMINAL	NO	External / Internal	X				20
02136	PROVENCE OFFSET TERMINAL	YES	External	X				20
03288	PROVENCE BOLT TIP INSERTION KIT			X				50

PROVENCE STRIKERS



Functions

Strikers for closing the Provence cremone

Technical Features

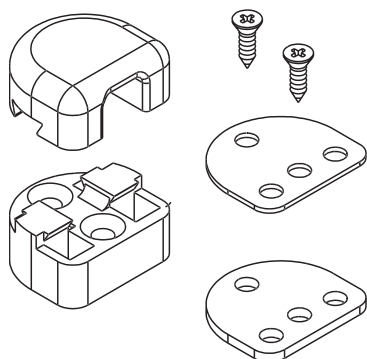
It is fitted on the frame and intercepts the bolt tip applied on the aluminium rod, which is moved by the cremone. Both models are for an overlap of 7 mm, but with shims they can go up to 10 mm.

With the Provence strikers it is possible to have fasteners on both inward-opening and outward-opening casements (flush and overlap).

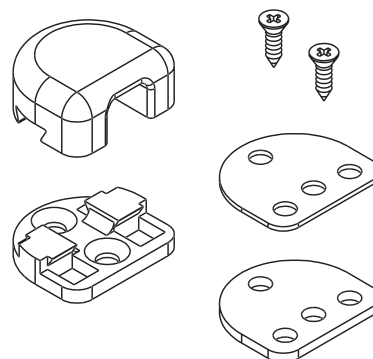
Materials

Die-cast zamak plate and casing
Polyamide shims
Zinc plated steel screws.

Inward opening striker



Outward opening casement striker



Item code	Description	Step	Overlap Inward Opening	Flush Inward Opening	Overlap Outward Opening	Flush Outward Opening	Base Raw	Anodised Elox	Painted	Trend/Gold Brass	Pieces per pack
01294N	PROVENCE STRIKER	7 ÷ 10 mm	x				X		X		20
01295N	PROVENCE STRIKER	7 ÷ 10 mm		x	x	x	X		X		20

ADDITIONAL FASTENING MECHANISMS

Functions

Additional fastening mechanisms for PROVENCE Cremone

Technical Features

It is composed of a component bearing the bolt tip and is fixed on the rod with a grub screw. To strengthen the system it is recommended to be used near the cremone or near an additional rod guide.

Recommended for heights over 1800 mm.

Materials

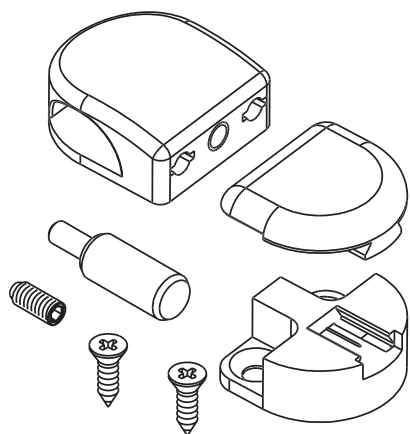
Bolt tip made of stainless steel

Block in die-cast zamak

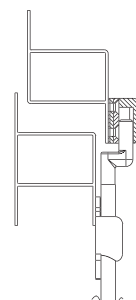
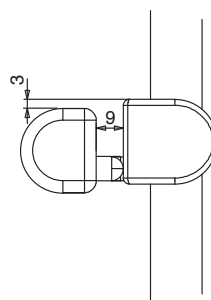
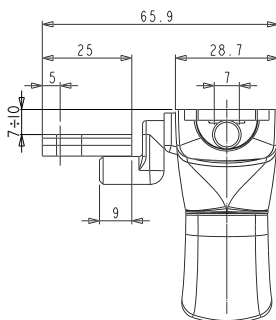
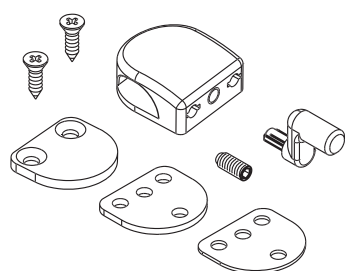
Steel striker

Mounting grub screw and fixing screws in stainless steel

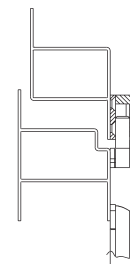
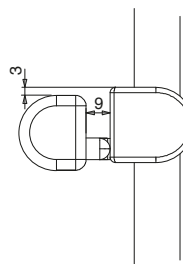
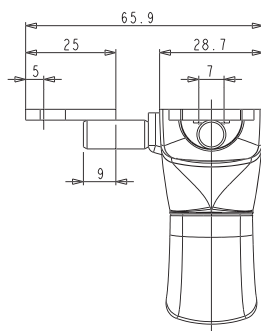
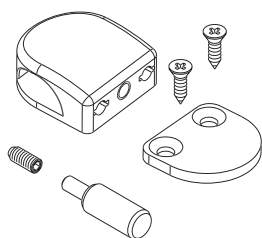
Polyamide shims (overlap version)



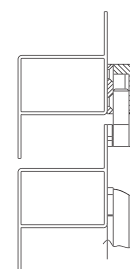
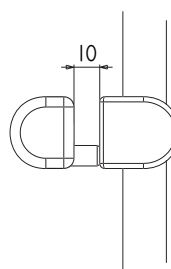
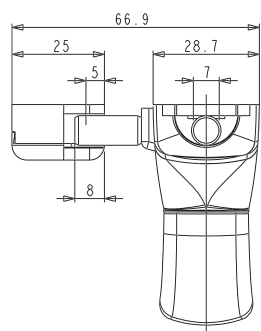
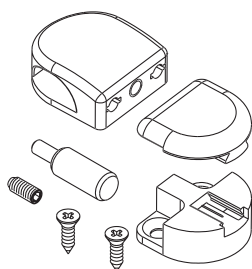
Outward opening casement fastening mechanism (overlap)



Outward opening casement fastening mechanism (flush)

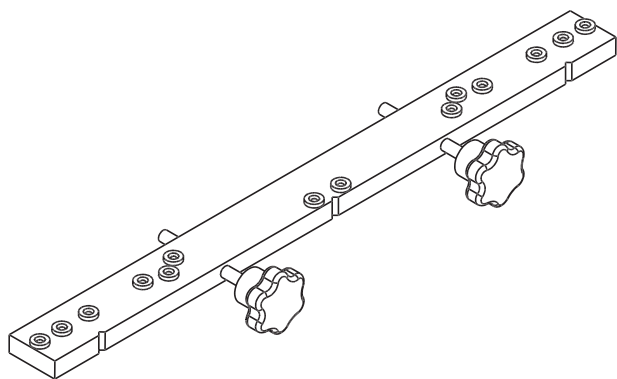


Inward opening fastening mechanism (flush)



Item code	Description	Version	Step	Opening	Base Raw	Anodised Elox	Painted	Trend/Gold Brass	Pieces per pack
01292	ADDITIONAL FASTENING MECH-ANISM	Overlap	7 ÷ 10	External	X		X		10
01293	ADDITIONAL FASTENING MECH-ANISM	Flush	-	External	X		X		10
01296	ADDITIONAL FASTENING MECH-ANISM	Flush	-	Internal	X		X		10

MACHINING TEMPLATE



Functions

Enables making holes for all the components in the Provence range.

Technical Features

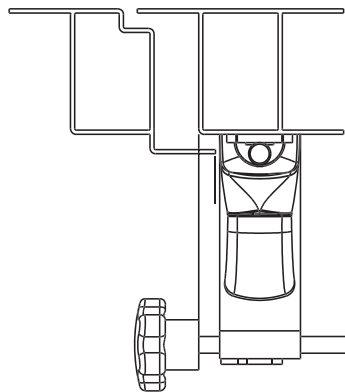
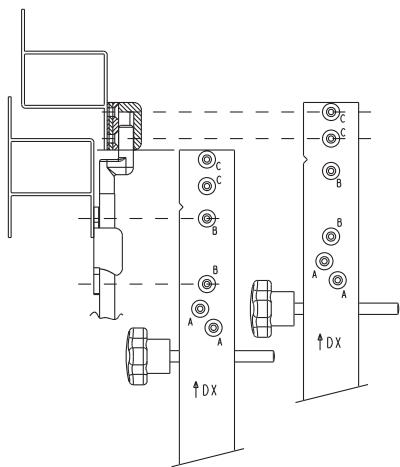
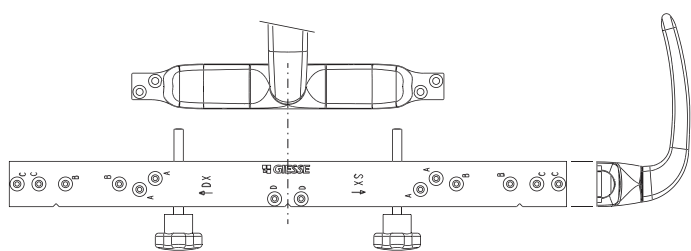
The template has a width equivalent to the cremone so that, once you have determined the position on the profile, you are sure that the Provence will find the right housing.

The template allows you to make all the necessary holes for:

- cremone
- rod guide
- strikers
- additional fastening mechanisms

Materials

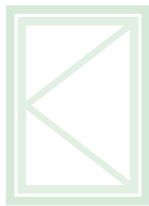
Aluminium template
Carbonitrided steel bushes



Item code	Description	Note	Base Raw	Anodised Elox	Painted	Trend/Gold Brass	Pieces per pack
03280	PROVENCE MACHINING TEMPLATE		X				1

CONFIGURATION EXAMPLES

Inward opening Provence configuration



Profile type	Overlap	Flush
Cremone	01160 - 01161 - 01162	01160 - 01161 - 01162
Rod	01297 - 01300 - 01304	01297 - 01300 - 01304
Bolt tip	02135	02135
Striker	01294N	01295N

Outward opening casement Provence configuration



Profile type	Overlap	Flush
Cremone	01160 - 01161 - 01162	01160 - 01161 - 01162
Rod	01297 - 01300 - 01304	01297 - 01300 - 01304
Bolt tip	02136	02135
Striker	01295N	01295N