

TOTEM LEVER BOLT

The lever bolt is both solid and easy to manoeuvre



TOTEM LEVER BOLT

The lever bolt is both solid and easy to manoeuvre

The TOTEM lever bolt for profiles with groove, a long-standing product in the Giesse catalogue, now features an attractive new styling.

Made with top quality materials, according to Giesse standards, fully compatible with application on aluminum doors, and geared to ensure excellent operation throughout the door's lifetime, the TOTEM bolt is exceedingly strong and reliable over time.

The Totem bolt has been tested according to **EN 12051:1999** standard that regulates bolts for doors and windows, and is in the **category of use 4** corresponding to **very heavy use**.

Bolt operation is ensured by a zamak operating lever with a chromium-plated finish that, through springs, connecting rods and stainless steel pins, controls the throw tip with a stroke of 21 mm ensuring a gradual transmission of the thrust onto the bolt tip.

The Ø8 terminal bolt in steel with carbonitrided treatment for cut-resistant guarantee a great hold on the strikers, making the application solid and increases the bolt resistance to the burglary.

The special surface treatment of the bolt tip (Giesse Silver Plus finish) guarantees an ultra-high corrosion resistance.

The mechanism base and the element connecting to the bolt tip are made of black painted zamak.

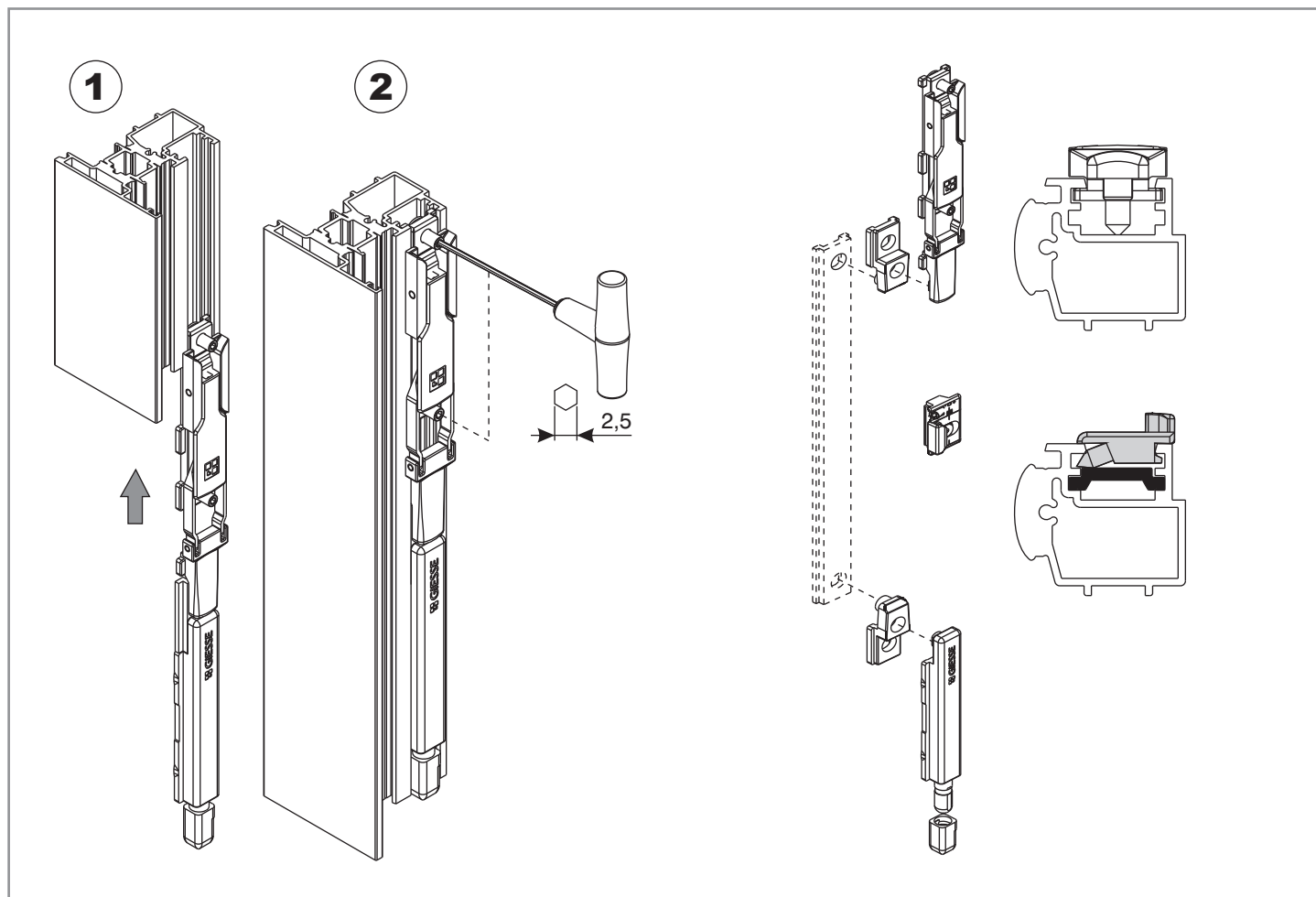
The connection plate, the eccentric bushing bolt tip cover (supplied) and the "Z" block to move the mechanism into the second channel are made of nylon.

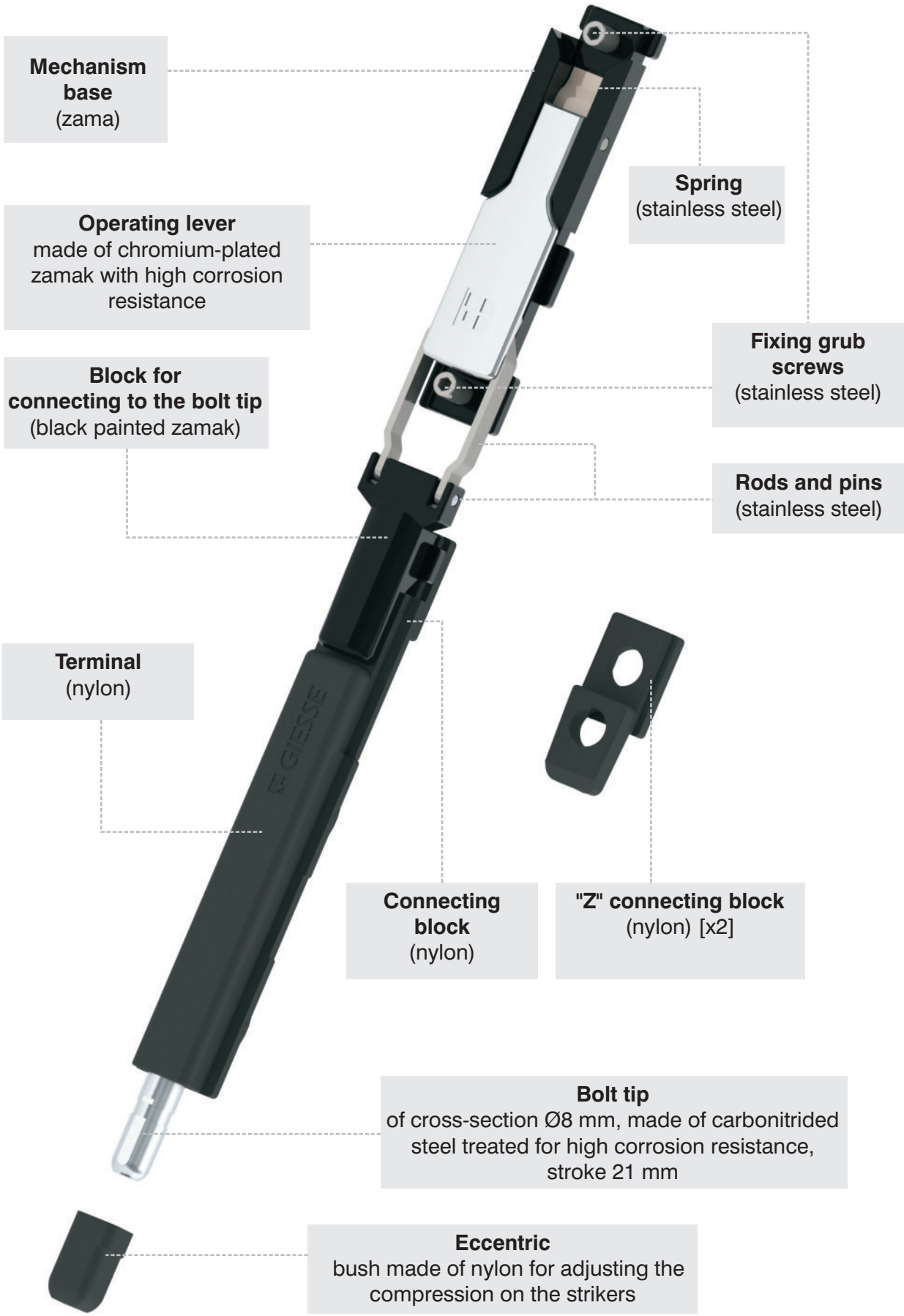
The bolt is easily fastened to the profile in just a few seconds, using the two fixing grub screws supplied with the product and requires no machining on profile.

TOTEM is reversible and is applied both at the top and at the bottom of the door.

The wide range of available versions makes the bolt applicable to the main profiles on the market (Euro Groove, NC International, All.co 5S, NNC40S, R40, Alumafel).

Mechanisms and bolt tips can also be ordered separately so as to allow different combinations.





TOTEM LEVER BOLT

The lever bolt is both solid and easy to manoeuvre

Code	Description	Pieces per pack
TOTEM DOOR BOLT		
02071500	TOTEM BOLT GROOVE 13,5x16,7	10
02072500	TOTEM BOLT GROOVE 14x19	10
02073500	TOTEM BOLT GROOVE 15x20	10
02074500	TOTEM BOLT GROOVE 14x18	10
02075500	TOTEM BOLT GROOVE 15x18	5 (cp)

TOTEM DOOR BOLT MECHANISMS		
02741500	TOTEM MECHANISM GROOVE 13,5x16,7	10
02742500	TOTEM MECHANISM GROOVE 14x19	10
02743500	TOTEM MECHANISM GROOVE 15x20	10
02744500	TOTEM MECHANISM GROOVE 14x18	10
02745500	TOTEM MECHANISM GROOVE 15x18	10

TOTEM DOOR BOLT TERMINALS		
02751000	TOTEM TERMINAL GROOVE 13,5x16,7	50
02145000N	TOTEM TERMINAL GROOVE 14x19	50
02143000N	TOTEM TERMINAL GROOVE 15x20	50
02754000	TOTEM TERMINAL GROOVE 14x18	50
02755000	TOTEM TERMINAL GROOVE 15x18	25 (cp)

STRIKERS		
01317000K	DOUBLE STRIKER (15x18)	100
01326000	THRESHOLD STRIKER	100
01348000K	SINGLE ZAMAK STRIKER	100
02144000	THRESHOLD STRIKER WITH DUST-PROOF GASKET	100
02159000	THRESHOLD STRIKER	50

