



CHAMPION PLUS CLOSING RODS 90

Functions

Complete system of multi-lock rods (2 to 3 points) for sliding windows or balcony-doors made of aluminium.

Online data sheet



Technical Features

Available in two versions:

- Backset 15 mm (2 to 3 locking points)
- Backset 15 mm with lock (3 locking points)

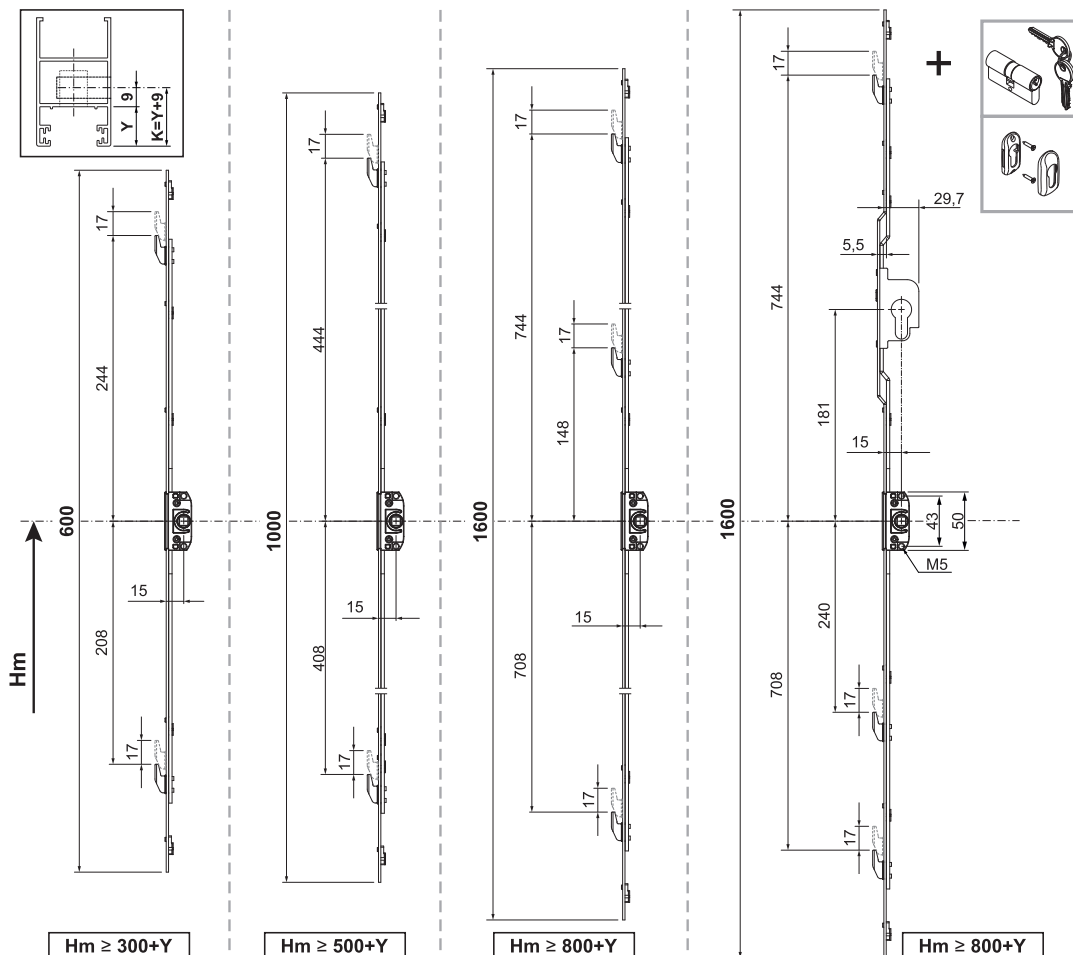
All the rods are operated by traditional window handles or recess handles equipped with a 7 mm square pin.

These multi-locks have 2 operating positions:

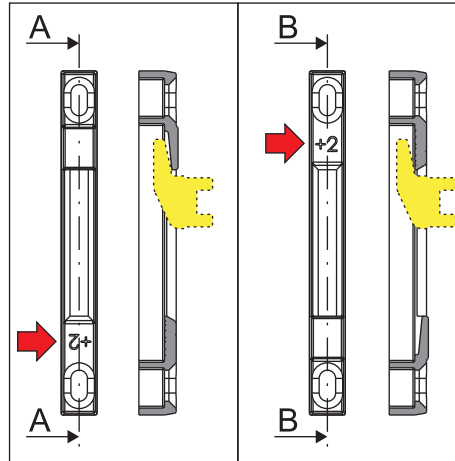
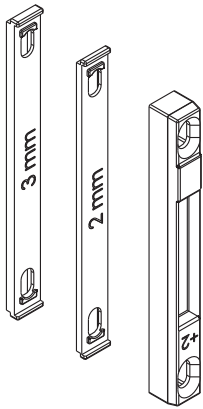
- 1) 0° CLOSED SASH
- 2) 90° OPEN SASH

Materials

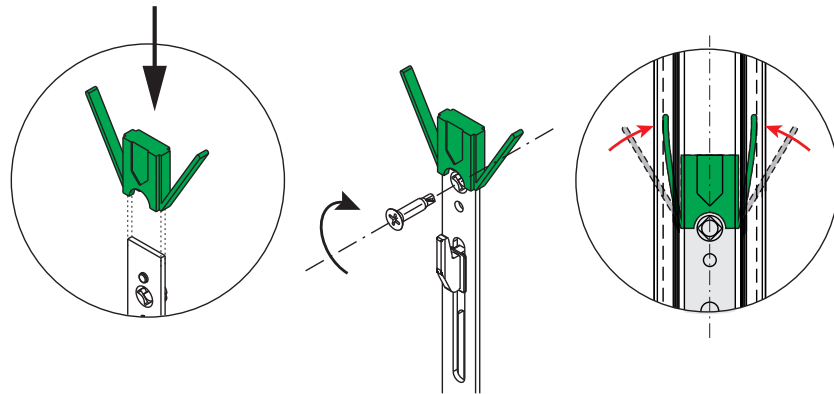
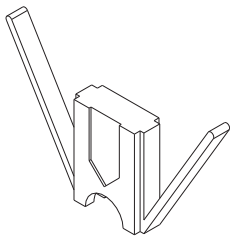
Zinc-plated steel lift-proof pin and rods
Box for rotor and nibs in zamak



06324



06360



Item code	Description	Backset	Lock	Incorrect Movement Safety Device Compatibility	Length	Window handle height	Locking points	Base Raw	Anodised Elox	Painted	Trend/Gold Brass	Pieces per pack
06327	CHAMPION PLUS ROD 90	15	NO	NO	600	$\geq 300 + Y$	2	X				4
06328	CHAMPION PLUS ROD 90	15	NO	NO	1000	$\geq 500 + Y$	2	X				4
06329	CHAMPION PLUS ROD 90	15	NO	NO	1600	$\geq 800 + Y$	3	X				4
06330	CHAMPION PLUS ROD 90	15	YES	NO	1600	$\geq 800 + Y$	3	X				4

Item code	Description	Note	Base Raw	Anodised Elox	Painted	Trend/Gold Brass	Pieces per pack
06324	CHAMPION PLUS 90 COUNTER-PLATE KIT		X				20
06360	CHAMPION PLUS 90 CENTRING TEMPLATE		X				5



PRIMA CHAMPION PLUS WINDOW HANDLE

Functions

Window handle that is applied on the main sash of a sliding casement.

Online data sheet

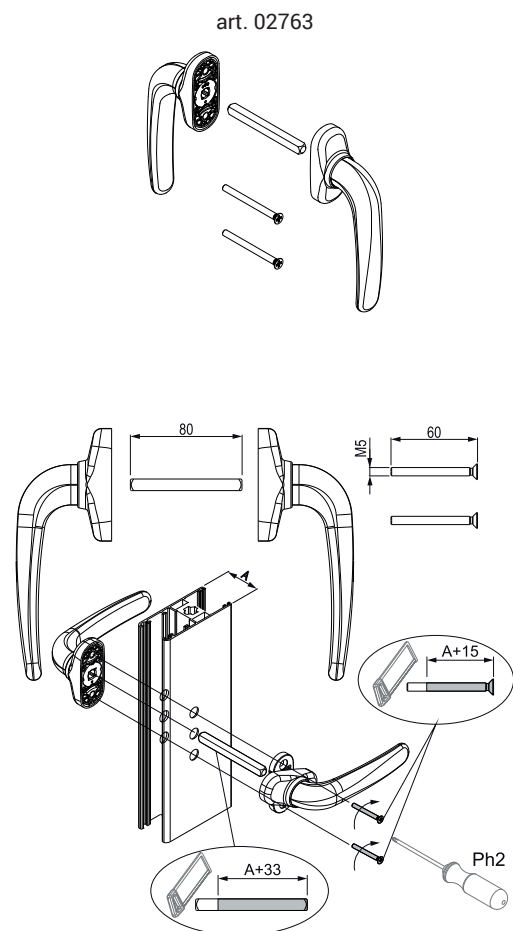
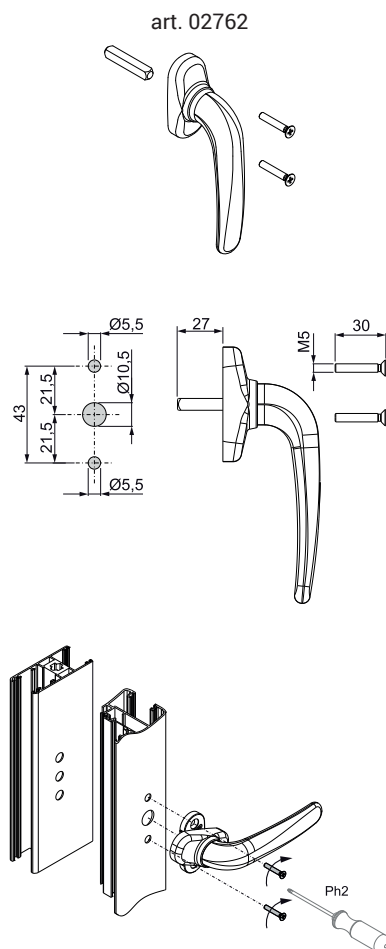


Technical Features

Two versions are available, single and double (balcony doors), the Prima window handle provides easy operation of the Champion Plus multi-lock. Equipped with a 7 mm square pin and a positioner for stopping the handle at 0° and 180°.

Materials

Handle, plate-cover and rotor in die-cast zamak
Square pin and screws in stainless steel
Polyamide plate



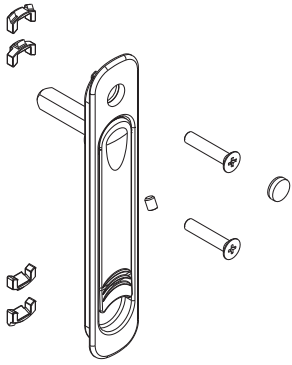
Item code	Description	PROFILE CROSS - SECTION	Applicable	Base Raw	Anodised Elox	Painted	Trend/Gold Brass	Pieces per pack
02762	PRIMA WINDOW HANDLE	C001-C002-C003-C004-C005-C006-C007-C009-C010-C011-C012-C013-C014-C015-C016-C017-P001-P002-P003-P004-P005-P006-P007-P008-P009-P010	internal	X		X	X	5
02763	DOUBLE PRIMA WINDOW HANDLE	-	internal/external	X		X	X	5

RECESSED WINDOW HANDLE

Functions

Window handle that is applied on the secondary sash of a sliding casement.

Online data sheet



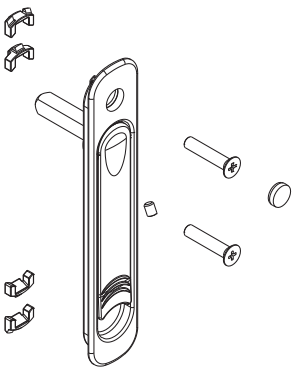
Technical Features

Not being top-hung, it allows overlapping the sashes.
Equipped with a 7 mm square pin and a positioner for stopping the handle at 0° and 180°.
The product has its own system for fixing to the stand-alone profile compared to the M5x25 screws fastening the window handle to the internal mechanism.
Depending on the shape of the sash profile, the manufacturer will decide on how to prepare the recessed window handle with parts A or B so that the product is anchored in an effective and long-lasting manner.

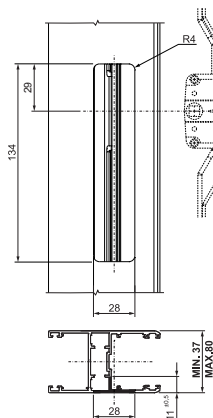
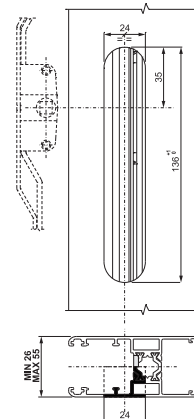
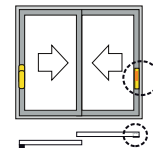
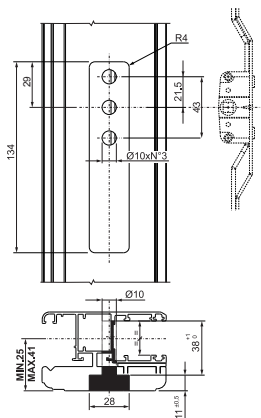
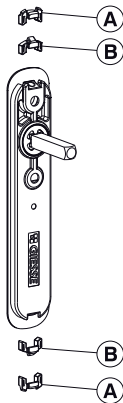
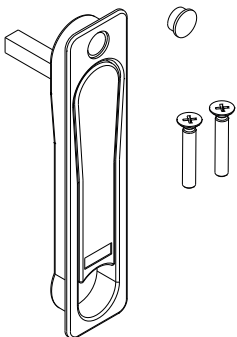
Materials

External body, pull handle and fixing components made of die-cast zamak
Square pin and fixing screws in zinc plated steel
Hostaform snap disk
Locking washer made of harmonic steel

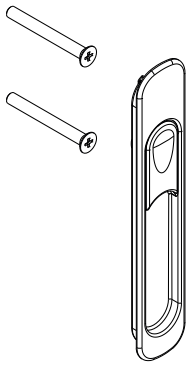
art. 02760



art. 02761



Item code	Description	Applicable	Notes	Base Raw	Anodised Elox	Painted	Trend/Gold Brass	Pieces per pack
02760	RECESSED WINDOW HANDLE	internal		X		X	X	8
02761	RECESSED WINDOW HANDLE	internal	Alu/wood or Alu profiles > 37 mm	X		X	X	8



EXTERNAL RECESS PULL HANDLE

Functions

The external recess pull handle has the function of pulling a sliding sash and works in conjunction with a window handle on the inside of the casement.

Online data sheet



Technical Features

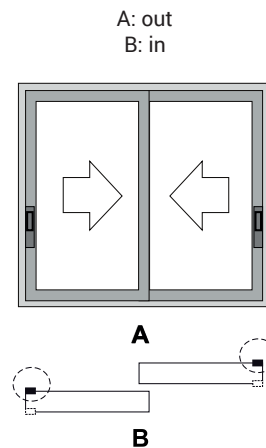
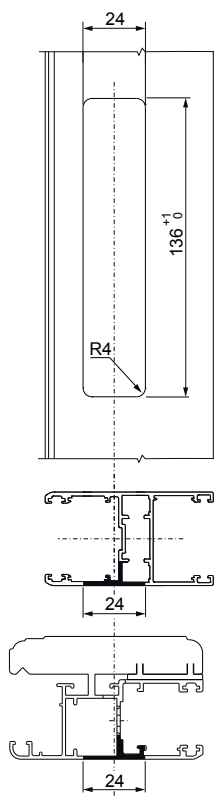
The external recess pull handle has the function of pulling a sliding sash and works in conjunction with a window handle on the inside of the casement. This article is fitted externally and performs the function of pulling a sliding sash.

This product works in combination with the recess window handle or in combination with the Prima window handle.

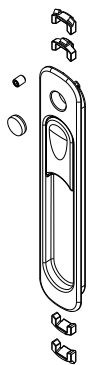
The metric screws supplied with the window handle for the inside are screwed into the external recess handle, joining the 2 products with the profile

Materials

External body and lever made of die-cast zamak
Zinc plated steel screws



Item code	Description	Applicable	Can be combined with	Base Raw	Anodised Elox	Painted	Trend/Gold Brass	Pieces per pack
02764	EXTERNAL RECESS PULL HANDLE	external	02760-02761-02762	X		X	X	8



BLIND INTERNAL RECESS PULL HANDLE

Functions

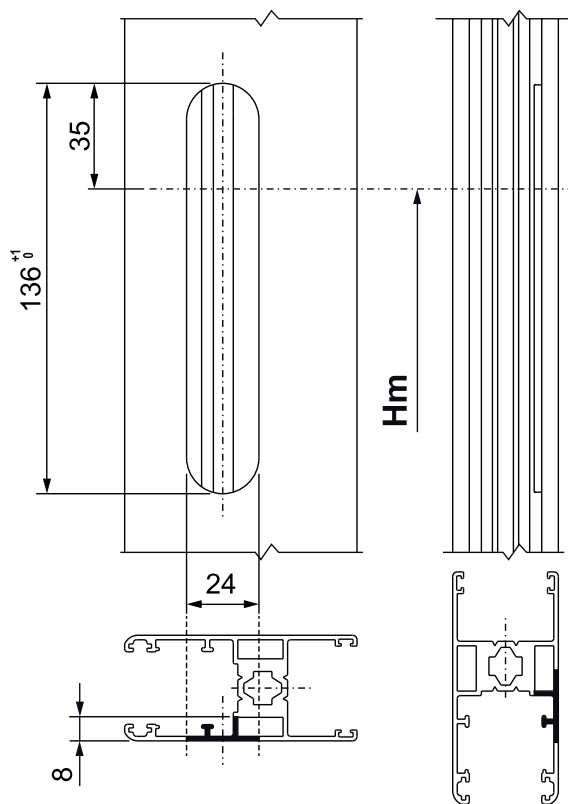
Blind recess handle to be applied on the opposite sash which has the sole function of drawing.

Online data sheet

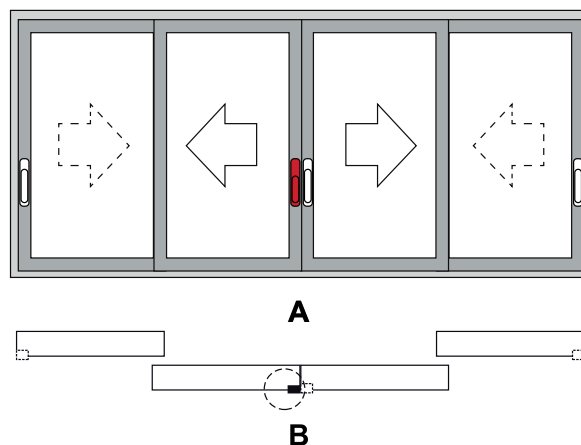


Materials

Die-cast zamak coupling teeth and body
Stainless steel locking grub screw



A: out
B: in



Item code	Description	Applicable	Notes	Base Raw	Anodised Elox	Painted	Trend/Gold Brass	Pieces per pack
02765	BLIND INTERNAL RECESS PULL HANDLE	internal	Opposing sashes	X		X	X	8