

CHAMPION PLUS MULTILOCK

Functions

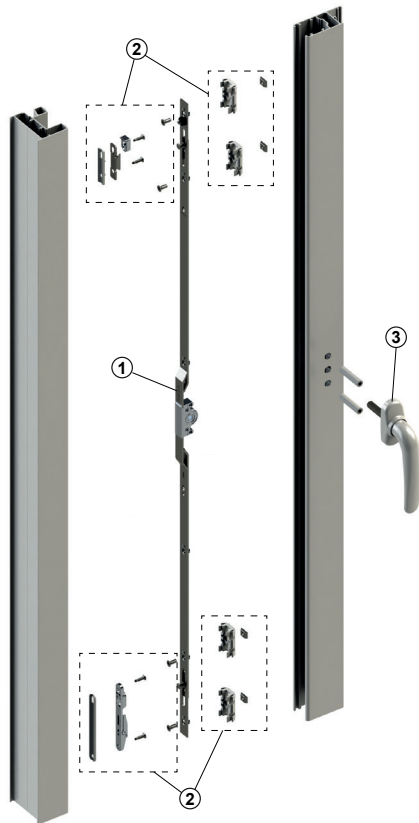
Multilocking system, for aluminium sliding doors and windows, that can be operated with a single mechanism (window handle or recess handle).

Technical Features

Champion Plus is a locking system consisting of 3 different components:

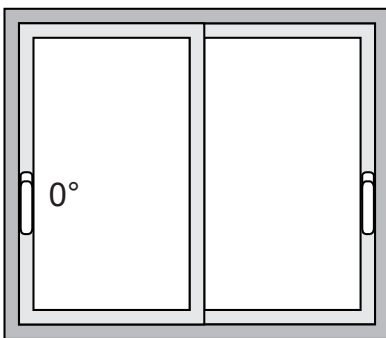
1. Standard fastening rod or fastening rod with micro-ventilation
2. Fixing kit for standard fastening rods or fastening rods with micro-ventilation
3. Mechanisms

Depending on the type of sliding system used and the size of the sash, the appropriate fastening rod and fixing kit must be selected.

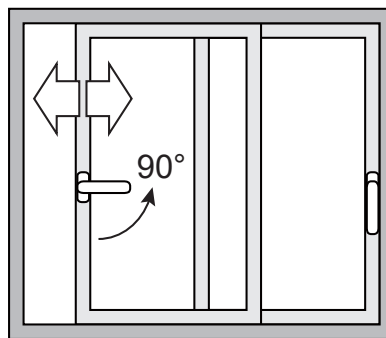


CHAMPION PLUS - VERSION WITH MICRO-VENTILATION

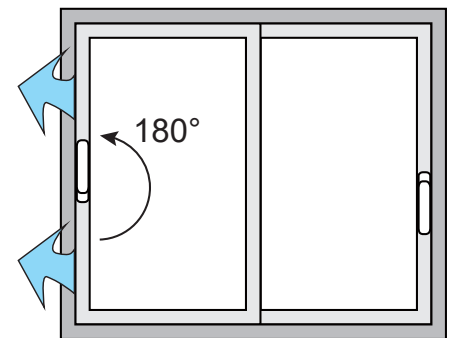
1. Closed window



2. Opening window

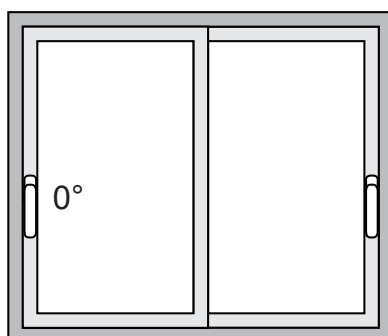


3. Window in micro-ventilation position

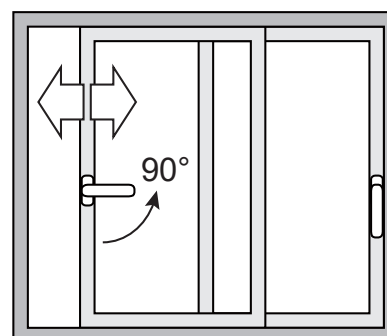


CHAMPION PLUS - STANDARD VERSION (WITHOUT MICRO-VENTILATION)

1. Closed window



2. Opening window



CHAMPION PLUS FASTENING RODS WITH MICRO-VENTILATION

Functions

Rods that provide a 2- or 3-point multi-lock in an aluminium window or sliding door.

Online data sheet



Technical Features

The Champion Plus fastening rods with micro-ventilation are available with two different backsets: 7.5 and 15 mm in 3 different lengths: 600 (2 points), 1000 (2 points) and 1600 mm (3 points).

A version with key is also available for the 15 mm backset, with a length of 1600 mm (3 points).

These rods, if applied in combination with the appropriate fixing kit, allow for a position in which the sash moves away by a few millimeters from the closed position, allowing for air recirculation/passage (micro-ventilation).

These multi-locks have 3 operating positions:

- 1) 0° CLOSED SASH
- 2) 90° OPEN SASH
- 3) 180° MICRO-VENTILATED SASH

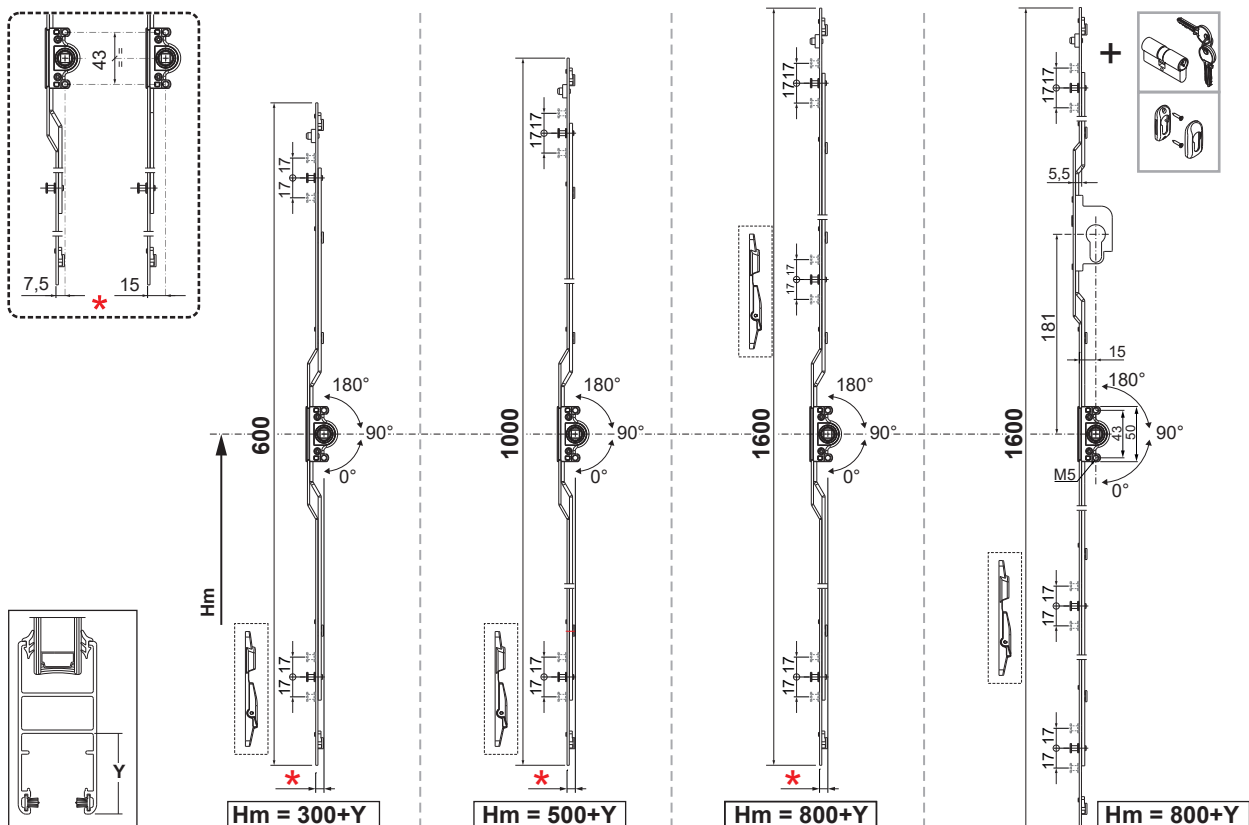
The 180° position can be inhibited by using a screw that limits the rotation of the mechanism to the 90° position only (open sash).

In this case, the micro-ventilation function will be excluded.

All CHAMPION PLUS rods WITH MICRO-VENTILATION are compatible with all window handles having a 7 mm square pin and fixing screws with 43 mm c/c distance.

Materials

Zinc-plated steel lift-proof pin and rods
Box for rotor and nibs in zamak



Item code	Description	Backset	Lock	Incorrect Movement Safety Device Compatibility	Length	Window handle height	Locking points	Base Raw	Anodised Elox	Painted	Trend/Gold Brass	Pieces per pack
06334	CHAMPION PLUS ROD WITH MICRO-VENTILATION	7,5	NO	NO	600	> 300 + Y	2	X				4
06335	CHAMPION PLUS ROD WITH MICRO-VENTILATION	7,5	NO	NO	1000	> 500 + Y	2	X				4
06336	CHAMPION PLUS ROD WITH MICRO-VENTILATION	7,5	NO	NO	1600	> 800 + Y	3	X				4
06337	CHAMPION PLUS ROD WITH MICRO-VENTILATION	15	NO	NO	600	> 300 + Y	2	X				4
06338	CHAMPION PLUS ROD WITH MICRO-VENTILATION	15	NO	NO	1000	> 500 + Y	2	X				4
06339	CHAMPION PLUS ROD WITH MICRO-VENTILATION	15	NO	NO	1600	> 800 + Y	3	X				4
06340	CHAMPION PLUS ROD WITH MICRO-VENTILATION	15	YES	NO	1600	> 800 + Y	3	X				4

CHAMPION PLUS FIXING KIT WITH MICRO-VENTILATION



Functions

The fixing kit is necessary to correctly and durably fix a Champion rod with micro-ventilation in a specific aluminium sliding system and to obtain the micro-air circulation function.

Online data sheet



Technical Features

The Champion Plus fixing kit with micro-ventilation is available in two versions:

- for 2 point multi-lock
- for 3 point multi-lock

The Champion Plus fixing kit with micro-ventilation usually includes all those components necessary to apply the fastening rod in a specific aluminium sliding system.

These kits therefore generally include:

- Shims to adapt the rod to the sash profile
- Frame counterplates
- Frame micro-ventilation counterplate
- Frame counterplate adjustment shims
- Lift-proof component
- Fixing screws
- Window handle spacer tubes

By acting on the grub screw located at the front of the counterplate, it is possible to adjust the amount of micro-ventilation from a sash-frame crossing of +3 mm to +6 mm.

The rod adjustment shims snap into place, facilitating hardware installation operations.

Depending on the sliding system used, these adapters provide different fixing systems:

- direct to the profile, in which the screw grips directly in the sash profile
- with expansion (patented by Giesse) in which the adapter expands and anchors to the sash profile without the need for drilling

Materials

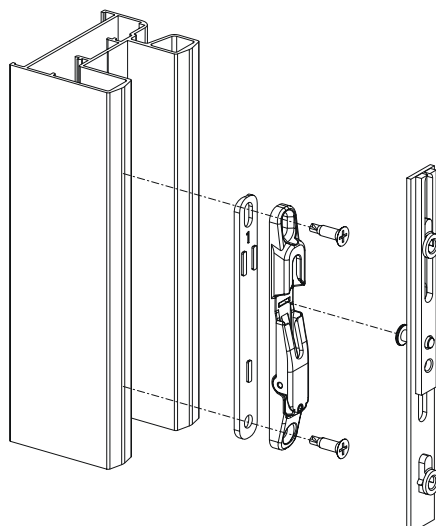
Shims for adapting the rod to the profile, counterplate shims and window handle spacers of grey polyamide

Screws for fixing rod to profile in stainless steel

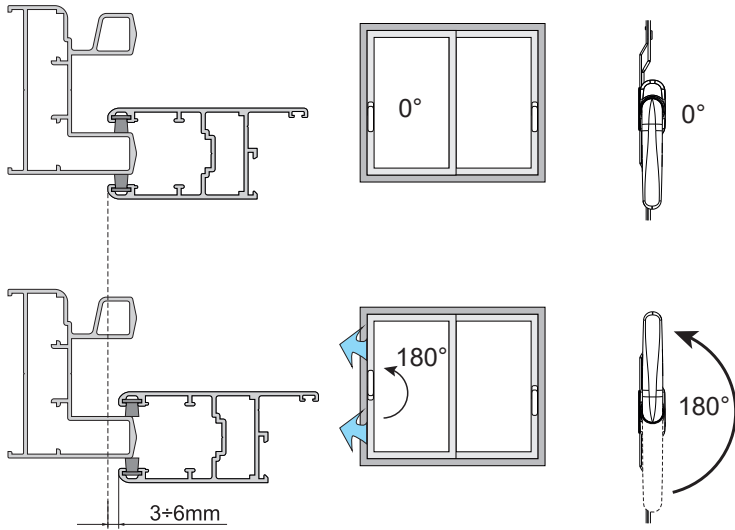
Frame counterplate made of zinc plated steel

Micro-ventilation counterplate, anti-lift component and retractor (where applicable) made of die-cast zamak

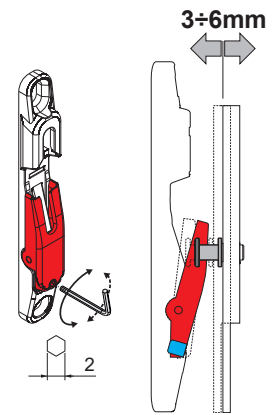
Micro-ventilation counterplate



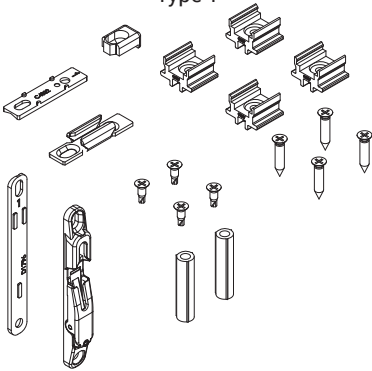
Micro-ventilation



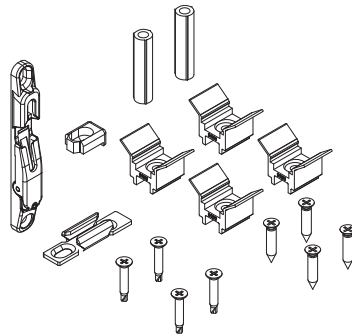
Micro-ventilation adjustment



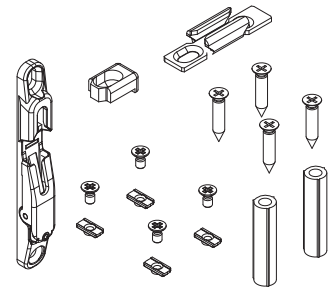
Type 1



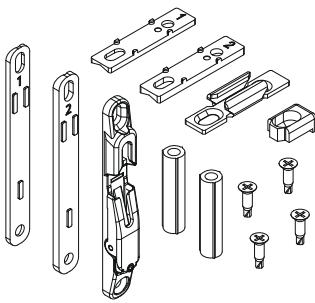
Type 2



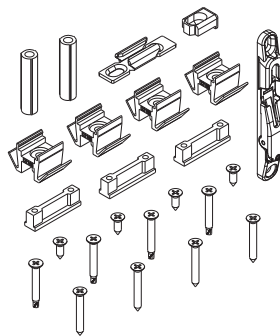
Type 3



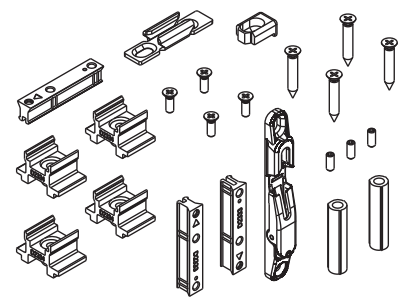
Type 4



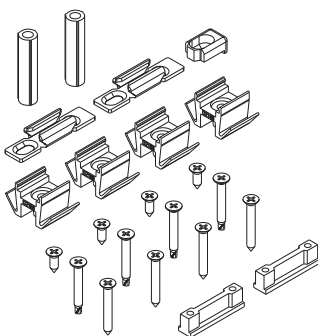
Type 5



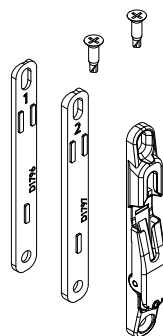
Type 6



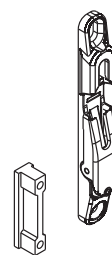
Type 7



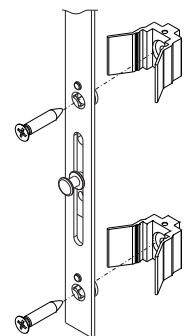
06370



06390



Direct fixing (A1)



Item code	Description	Rod for matching	Type	Rod fixing to sash	Base Raw	Anodised Elox	Painted	Trend/Gold Brass	Pieces per pack
06344	Champion Plus Micro-ventilation FIXING KIT with 2 locking points	06334 - 06335 - 06337 - 06338	1	Direct (A1)	X				8
06345	Champion Plus Micro-ventilation FIXING KIT with 3 locking points	06336 - 06339 - 06340	1	Direct (A1)	X				8
06346	Champion Plus Micro-ventilation FIXING KIT with 2 locking points	06334 - 06335 - 06337 - 06338	2	Direct (A1)	X				8
06347	Champion Plus Micro-ventilation FIXING KIT with 3 locking points	06336 - 06339 - 06340	2	Direct (A1)	X				8
06348	Champion Plus Micro-ventilation FIXING KIT with 2 locking points	06334 - 06335 - 06337 - 06338	1	Direct (A1)	X				8
06349	Champion Plus Micro-ventilation FIXING KIT with 3 locking points	06336 - 06339 - 06340	1	Direct (A1)	X				8
06354	Champion Plus Micro-ventilation FIXING KIT with 2 locking points	06334 - 06335 - 06337 - 06338	1	Direct (A1)	X				8
06355	Champion Plus Micro-ventilation FIXING KIT with 3 locking points	06336 - 06339 - 06340	1	Direct (A1)	X				8
06356	Champion Plus Micro-ventilation FIXING KIT with 2 locking points	06334 - 06335 - 06337 - 06338	2	Direct (A1)	X				8
06357	Champion Plus Micro-ventilation FIXING KIT with 3 locking points	06336 - 06339 - 06340	2	Direct (A1)	X				8
06358	Champion Plus Micro-ventilation FIXING KIT with 2 locking points	06334 - 06335 - 06337 - 06338	2	Direct (A1)	X				8
06359	Champion Plus Micro-ventilation FIXING KIT with 3 locking points	06336 - 06339 - 06340	2	Direct (A1)	X				8
06364	Champion Plus Micro-ventilation FIXING KIT with 2 locking points	06334 - 06335 - 06337 - 06338	1	Direct (A1)	X				8
06365	Champion Plus Micro-ventilation FIXING KIT with 3 locking points	06336 - 06339 - 06340	1	Direct (A1)	X				8
06366	Champion Plus Micro-ventilation FIXING KIT with 2 locking points	06334 - 06335 - 06337 - 06338	1	Direct (A1)	X				8
06367	Champion Plus Micro-ventilation FIXING KIT with 3 locking points	06336 - 06339 - 06340	1	Direct (A1)	X				8
06368	Champion Plus Micro-ventilation FIXING KIT with 2 locking points	06334 - 06335 - 06337 - 06338	3	Direct (A1)	X				8
06369	Champion Plus Micro-ventilation FIXING KIT with 3 locking points	06336 - 06339 - 06340	3	Direct (A1)	X				8
06370	CHAMPION PLUS UNIVERSAL MICRO-VENTILATION FIXING KIT	06334-06335-06336-06337-06338-06339-06340	-	-	X				8
06374	Universal Champion Plus Micro-ventilation FIXING KIT with 2 locking points	06334-06335-06337-06338	4	Direct (A1)	X				8
06375	Universal Champion Plus Micro-ventilation FIXING KIT with 3 locking points	06336-06339-06340	4	Direct (A1)	X				8

Item code	Description	Rod for matching	Type	Rod fixing to sash	Base Raw	Anodised Elox	Painted	Trend/Gold Brass	Pieces per pack
06384	Champion Plus Micro-ventilation FIXING KIT with 2 locking points	06334-06335-06337-06338	1	Direct (A1)	X				8
06385	Champion Plus Micro-ventilation FIXING KIT with 3 locking points	06336-06339-06340	1	Direct (A1)	X				8
06386	Champion Plus Micro-ventilation FIXING KIT with 2 locking points	06334-06335-06337-06338	5	Direct (A1)	X				8
06387	Champion Plus Micro-ventilation FIXING KIT with 3 locking points	06336-06339-06340	5	Direct (A1)	X				8
06388	Champion Plus Micro-ventilation FIXING KIT with 2 locking points	06334-06335-06337-06338	6	Direct (A1)	X				8
06389	Champion Plus Micro-ventilation FIXING KIT with 3 locking points	06336-06339-06340	6	Direct (A1)	X				8
06390	CHAMPION PLUS MICRO-VENTILATION FIXING KIT	06334-06335-06336-06337-06338-06339-06340	-	-	X				8
06394	Champion Plus Micro-ventilation FIXING KIT with 2 locking points	06334-06335-06337-06338	7	Direct (A1)	X				8
06395	Champion Plus Micro-ventilation FIXING KIT with 3 locking points	06336-06339-06340	7	Direct (A1)	X				8



PRIMA CHAMPION PLUS WINDOW HANDLE

Functions

Window handle that is applied on the main sash of a sliding casement.

Online data sheet

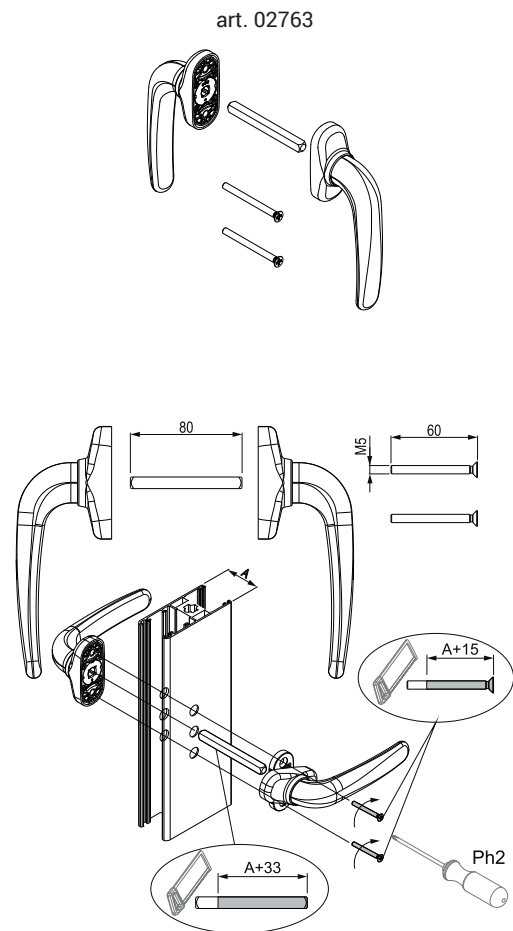
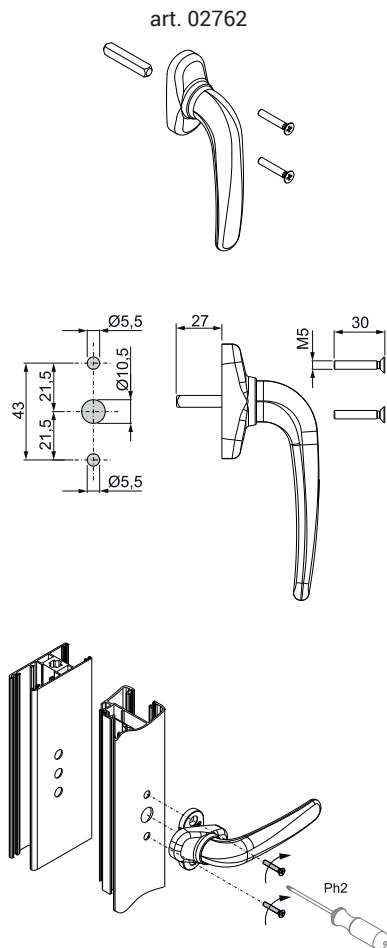


Technical Features

Two versions are available, single and double (balcony doors), the Prima window handle provides easy operation of the Champion Plus multi-lock. Equipped with a 7 mm square pin and a positioner for stopping the handle at 0° and 180°.

Materials

Handle, plate-cover and rotor in die-cast zamak
Square pin and screws in stainless steel
Polyamide plate



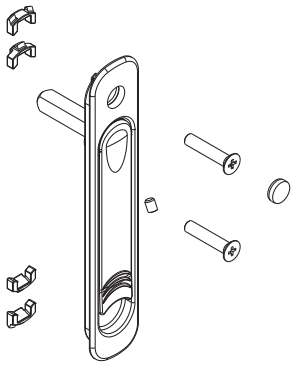
Item code	Description	PROFILE CROSS - SECTION	Applicable	Base Raw	Anodised Elox	Painted	Trend/Gold Brass	Pieces per pack
02762	PRIMA WINDOW HANDLE	C001-C002-C003-C004-C005-C006-C007-C009-C010-C011-C012-C013-C014-C015-C016-C017-P001-P002-P003-P004-P005-P006-P007-P008-P009-P010	internal	X		X	X	5
02763	DOUBLE PRIMA WINDOW HANDLE	-	internal/external	X		X	X	5

RECESSED WINDOW HANDLE

Functions

Window handle that is applied on the secondary sash of a sliding casement.

Online data sheet



Technical Features

Not being top-hung, it allows overlapping the sashes.

Equipped with a 7 mm square pin and a positioner for stopping the handle at 0° and 180°.

The product has its own system for fixing to the stand-alone profile compared to the M5x25 screws fastening the window handle to the internal mechanism. Depending on the shape of the sash profile, the manufacturer will decide on how to prepare the recessed window handle with parts A or B so that the product is anchored in an effective and long-lasting manner.

Materials

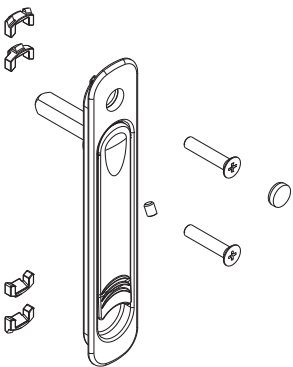
External body, pull handle and fixing components made of die-cast zamak

Square pin and fixing screws in zinc plated steel

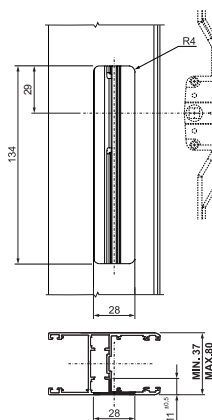
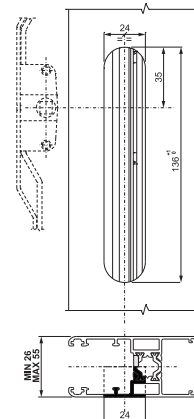
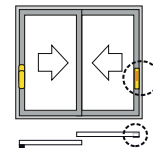
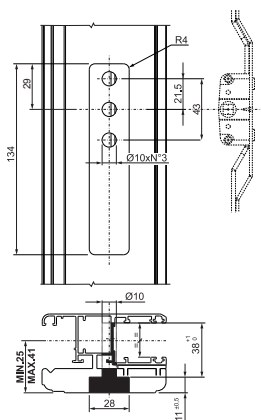
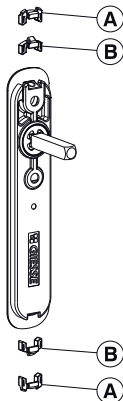
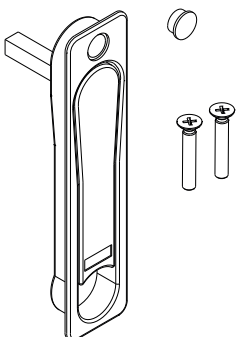
Hostaform snap disk

Locking washer made of harmonic steel

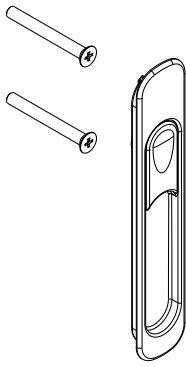
art. 02760



art. 02761



Item code	Description	Applicable	Notes	Base Raw	Anodised Elox	Painted	Trend/Gold Brass	Pieces per pack
02760	RECESSED WINDOW HANDLE	internal		X		X	X	8
02761	RECESSED WINDOW HANDLE	internal	Alu/wood or Alu profiles > 37 mm	X		X	X	8



EXTERNAL RECESS PULL HANDLE

Functions

The external recess pull handle has the function of pulling a sliding sash and works in conjunction with a window handle on the inside of the casement.

Online data sheet



Technical Features

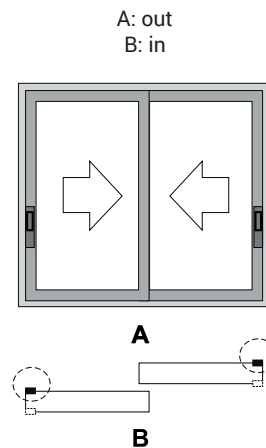
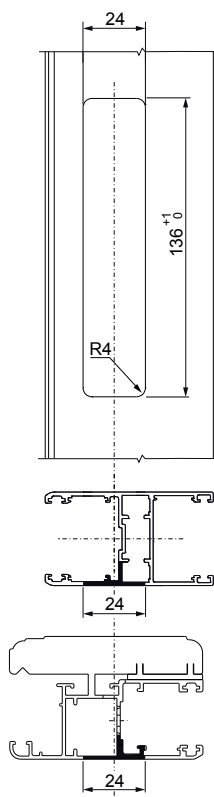
The external recess pull handle has the function of pulling a sliding sash and works in conjunction with a window handle on the inside of the casement. This article is fitted externally and performs the function of pulling a sliding sash.

This product works in combination with the recess window handle or in combination with the Prima window handle.

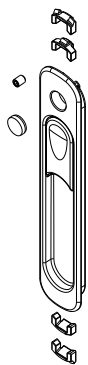
The metric screws supplied with the window handle for the inside are screwed into the external recess handle, joining the 2 products with the profile

Materials

External body and lever made of die-cast zamak
Zinc plated steel screws



Item code	Description	Applicable	Can be combined with	Base Raw	Anodised Elox	Painted	Trend/Gold Brass	Pieces per pack
02764	EXTERNAL RECESS PULL HANDLE	external	02760-02761-02762	X		X	X	8



BLIND INTERNAL RECESS PULL HANDLE

Functions

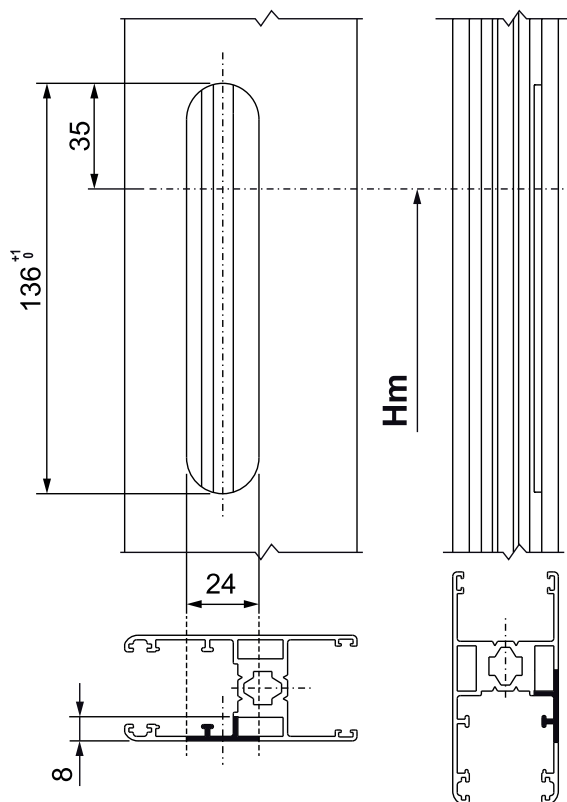
Blind recess handle to be applied on the opposite sash which has the sole function of drawing.

Online data sheet

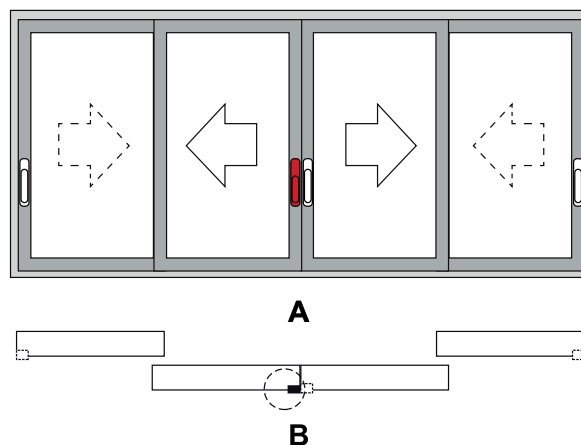


Materials

Die-cast zamak coupling teeth and body
Stainless steel locking grub screw



A: out
B: in



Item code	Description	Applicable	Notes	Base Raw	Anodised Elox	Painted	Trend/Gold Brass	Pieces per pack
02765	BLIND INTERNAL RECESS PULL HANDLE	internal	Opposing sashes	X		X	X	8