



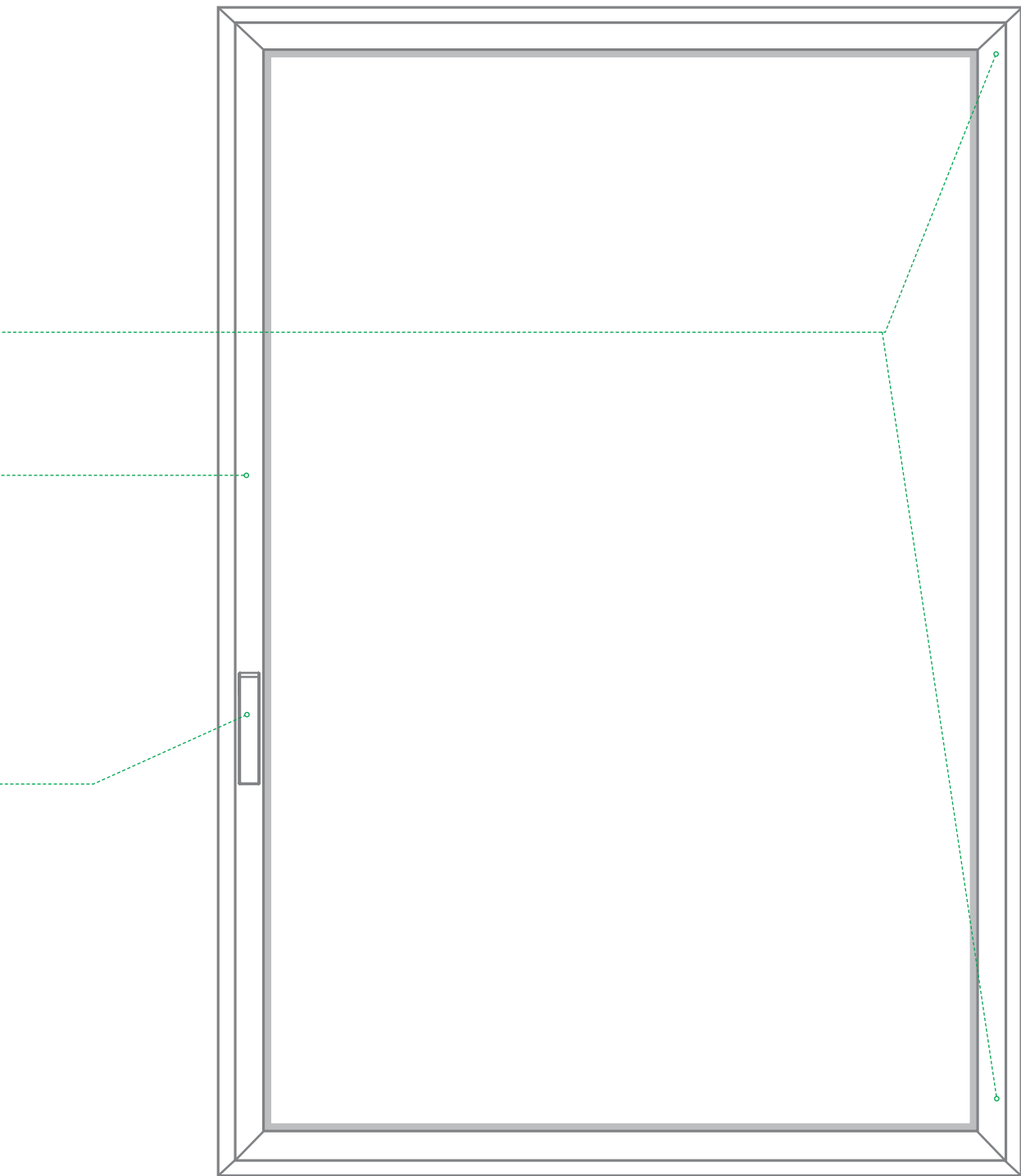
Tilt-and-turn

Solutions for
aluminium windows

 **GIESSE**

Index

Tilt-and-turn window	3
Advantages	
Logica Version	
SKG components	
Hinges	7
C.H.I.C. concealed hinges	
FUTURA	
Additional hardware	21
Fastening mechanisms	
Additional arms	
Additional fastening mechanisms	
Corner drives	
Additional hardware	
SKG components	
Templates	
Handles	24
Seals	25



Tilt-and-turn

C.H.I.C.

FUTURA

Additional hardware

Seals

Tilt-and-turn window



Modular

The reduction in the number of parts per pack and the modularity mean that there is no need to load the warehouse unnecessarily. The intuitive system **also reduces assembly times by 75%**.

Logica version

page 5

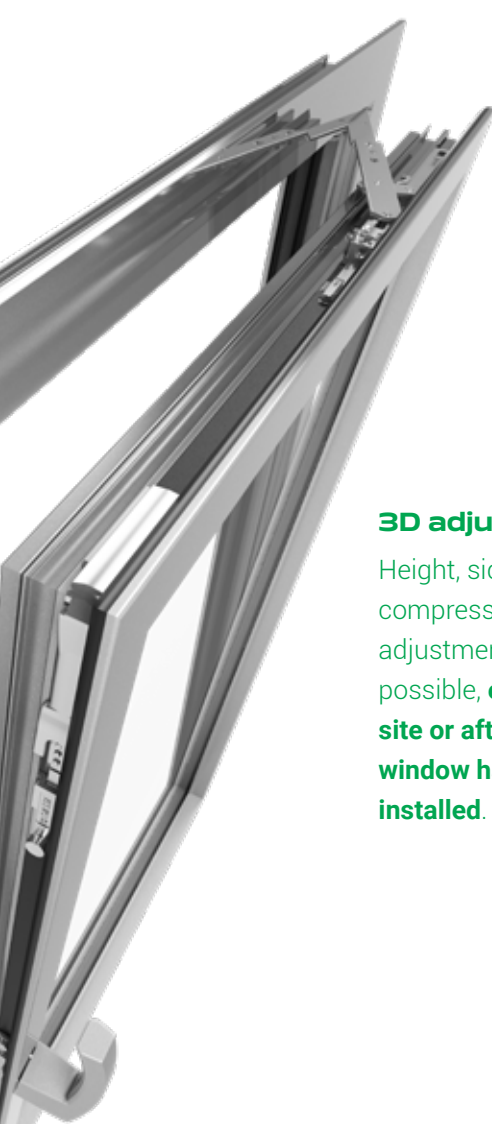
The *Logica* safety mechanism reverses the classic tilt-and-turn window opening mechanism. It is recommended for use in public buildings such as schools and hospitals, with a *Key Capture* cremone.



Burglar-proof

page 6

SKG certified components are available to achieve a RC2 or RC3 rating on a window.



Micro-ventilation

With the handle at 135°, the sash is in the micro-ventilation position. A constant flow minimizes condensation and ensures a fresh air supply without compromising the room temperature.

3D adjustment

Height, side and compression adjustment is possible, **even on site or after the window has been installed.**



Spazio Giesse

The integrated, scalable and technological solution that optimizes aluminium window production and rod cutting, minimizing costs, time and error margins.

Mechanisms

A wide choice of cremones, handles and **Supra7 handles without rosette**, to blend in harmoniously with the window and surrounding environment.

LOGICA

The "Logica" version reverses the classic tilt-and-turn mechanism: with the cremone at 90°, the door opens tilted, while with the cremone at 180°, it is side-hung.

It is particularly recommended for use in public buildings such as schools and hospitals, combined with a *Key Capture* cremone. This combination enables the window to be fully opened only by the person in possession of the key, while ordinary users can only open it as a bottom-hung window, to change the air in total safety.

1

Handle at 0°

Closed window.



2

Handle at 90°

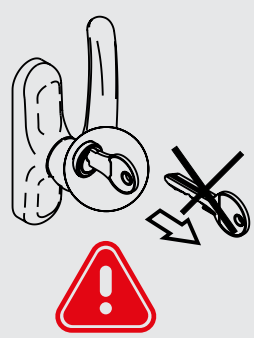
Bottom-hung opening



3

**Handle at 180°
only with key**

Side-hung opening



KEY CAPTURE

Safety mechanism that prevents the key from being extracted when the mechanism is tilted 180°.

Key Capture cremones in three different designs.



SKG HARDWARE

SKG and SKG*** certified Giesse products can be used to achieve RC2 or RC3 rating on a tilt-and-turn window.**

The SKG kits include all the components and mechanisms required to set up a window of any size. They can be paired with Futura hinges or C.H.I.C concealed hinges, in addition to Giesse cremones with three different designs: Prima, Asia and Kora [page 24].



SKG is the only burglar-proof product-specific (HW) certification issued by SKG-IKOB (Netherlands), Europe's most authoritative laboratory in the field.

CHIC

Tilt--turn window

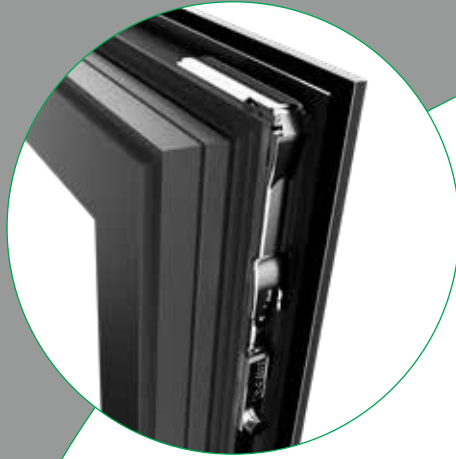
C.H.I.C.

FUTURA

Additional hardware

Seals

Corner drive



Window handle or cremone



Double lift-proof striker





Top hinge and arm set



Fastening
striker



Bottom hinge set

CHIC 100**Euro Groove**

C.H.I.C. 100 is Giesse's range of concealed hinges for Euro Groove tilt-and-turn windows, which improves the aesthetics and increases the value of hardware while simplifying warehouse organization.



EPD[®]
THE INTERNATIONAL EPD[®] SYSTEM



Load capacity
100 kg

**Adjustments**

Bottom side = ± 1.5 mm
Bottom height = $+2.5/-1$ mm
Bottom compression = $+1.4/-0.6$ mm
Top side = $+3.5/-1.5$ mm
Top compression = ± 1.5 mm

**Installation**

The window can be installed on site in just a few steps.

**Opening**

Max 180°

**SHIELDMAX5**

EN 1670 Grade 5, the **highest corrosion resistance level** (>480h salt spray).
Certification in progress

**EPD**

Life Cycle Assessment according to standards ISO 14040, ISO 14044, EN ISO 14025 and EN 15804



Go to the **technical datasheet**

Code	Description	Micro-ventilation	Range (mm)
043551	Kit of T/T Hinges + T1 RH arm	Yes	L = 470 – 700 mm
043552	Kit of T/T Hinges + T1 LH arm	Yes	L = 470 – 700 mm
043591	Kit of T/T Hinges + T1 RH arm	No	L = 445 – 470 mm
043592	Kit of T/T Hinges + T1 LH arm	No	L = 445 – 470 mm
043561	Kit of T/T Hinges + T2 RH arm	Yes	L = 600 – 1500 mm
043562	Kit of T/T Hinges + T2 LH arm	Yes	L = 600 – 1500 mm
04357	Additional arm fastening mechanism	-	L > 1000 H < 1200

Complete the window with all the hardware on pages 21–24

C.H.I.C. 100 Flush is Giesse's range of concealed hinges for Euro Groove tilt-and-turn windows with flush systems, which improves the aesthetics and increases the value of hardware while simplifying warehouse organization.



Load capacity
100 kg



Adjustments
Bottom side = ± 1.5 mm
Bottom height = $+2.5/-1$ mm
Bottom compression = $+1.4/-0.6$ mm
Top side = $+3.5/-1.5$ mm
Top compression = ± 1.5 mm



Installation
The installation of the door can take place on site in just a few steps.



Opening
Max 105°



SHIELD MAX 5
EN 1670 Grade 5, the **highest corrosion resistance level** (>480h salt spray).



Go to the **technical datasheet**

Code	Description	Micro-ventilation	Range (mm)
052911	Kit of T/T Hinges + T1 RH arm	Yes	L = 485 – 700 mm
052912	Kit of T/T Hinges + T1 LH arm	Yes	L = 470 – 700 mm
052921	Kit of T/T Hinges + T2 RH arm	Yes	L = 600 – 1500 mm
052922	Kit of T/T Hinges + T2 LH arm	Yes	L = 600 – 1500 mm
05293	Limitation arm (mandatory)	-	-

Complete the window with all the hardware on pages 21–24

CHIC 130**Euro Groove**

C.H.I.C. 130 is Giesse's range of concealed hinges for Euro Groove tilt-and-turn windows, which improves the aesthetics and increases the value of hardware while simplifying warehouse organization.



EPD[®]
THE INTERNATIONAL EPD[®] SYSTEM



Load capacity
130 kg

**Adjustments**

Bottom side = ± 1.5 mm
Bottom height = $+2.5/-1$ mm
Bottom compression = $+1.4/-0.6$ mm
Top side = $+3.5/-1.5$ mm
Top compression = ± 1.5 mm

**Installation**

The window can be installed on site in just a few steps.

**Opening**

Max 180°

**SHIELDMAX5**

EN 1670 Grade 5, the **highest corrosion resistance level** (>480h salt spray).
Certification in progress

**EPD**

Life Cycle Assessment according to standards ISO 14040, ISO 14044, EN ISO 14025 and EN 15804



Go to the **technical datasheet**

Code	Description	Micro-ventilation	Range (mm)
044251	Kit of T/T Hinges + T1 RH arm	Yes	L = 470 – 700 mm
044252	Kit of T/T Hinges + T1 LH arm	Yes	L = 470 – 700 mm
044261	Kit of T/T Hinges + T2 RH arm	Yes	L = 600 – 1500 mm
044262	Kit of T/T Hinges + T2 LH arm	Yes	L = 600 – 1500 mm
04357	Additional arm fastening mechanism	-	L > 1000 H < 1200

Complete the window with all the hardware on pages 21–24

C.H.I.C. 130 ERRE is Giesse's range of concealed hinges for R Groove tilt-and-turn windows, which improves the aesthetics and increases the value of hardware while simplifying warehouse organization.



Load capacity
130 kg



Adjustments
Bottom side = ± 1.5 mm
Bottom height = $+2.5/-1$ mm
Bottom compression = $+1.4/-0.6$ mm
Top side = $+3.5/-1.5$ mm
Top compression = ± 1.5 mm



Installation
The installation of the door can take place on site in just a few steps.



Opening
Max 180°



SHIELD MAX 5
EN 1670 Grade 5, the **highest corrosion resistance level** (>480h salt spray).



Go to the **technical datasheet**

Code	Description	Micro-ventilation	Range (mm)
052841	Kit of T/T Hinges + T1 RH arm	No	L = 450 – 475 mm
052842	Kit of T/T Hinges + T1 LH arm	No	L = 450 – 475 mm
052851	Kit of T/T Hinges + T2 RH arm	Yes	L = 475 – 700 mm
052852	Kit of T/T Hinges + T2 LH arm	Yes	L = 475 – 700 mm
052861	Kit of T/T Hinges + T2 RH arm	Yes	L = 600 – 1600 mm
052862	Kit of T/T Hinges + T2 LH arm	Yes	L = 600 – 1600 mm
05287	Additional arm fastening mechanism	-	L > 1000 H < 1200

Complete the window with all the hardware on pages 21–24

CHIC 150**Euro Groove**

C.H.I.C. 150 is Giesse's range of concealed hinges for Euro Groove tilt-and-turn windows, which improves the aesthetics and increases the value of hardware while simplifying warehouse organization.



EPD[®]
THE INTERNATIONAL EPD[®] SYSTEM



Load capacity
150 kg

**Adjustments**

Bottom side = ± 1.5 mm
Bottom height = $+2.5/-1$ mm
Bottom compression = $+1.4/-0.6$ mm
Top side = $+3.5/-1.5$ mm
Top compression = ± 1.5 mm

**Installation**

The window can be installed on site in just a few steps.

**Opening**

Max 180°

**SHIELDMAX5**

EN 1670 Grade 5, the **highest corrosion resistance level** (>480h salt spray).

**EPD**

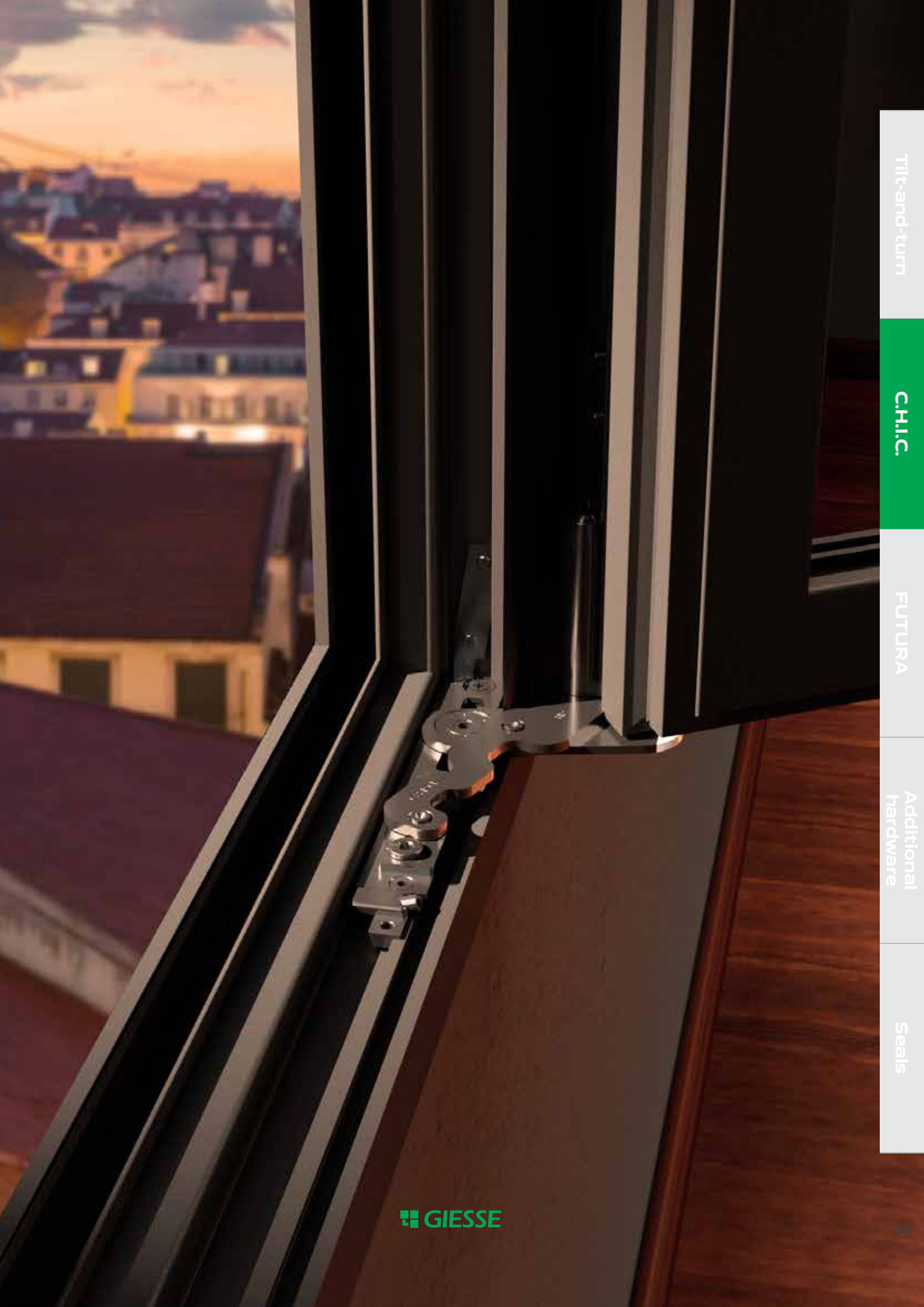
Life Cycle Assessment according to standards ISO 14040, ISO 14044, EN ISO 14025 and EN 15804



Go to the **technical datasheet**

Code	Description	Micro-ventilation	Range (mm)
0436511	Kit of T/T Hinges + T1 RH arm	Yes	L = 470 – 700 mm
0436521	Kit of T/T Hinges + T1 LH arm	Yes	L = 470 – 700 mm
0436611	Kit of T/T Hinges + T2 RH arm	Yes	L = 600 – 1500 mm
0436621	Kit of T/T Hinges + T2 LH arm	Yes	L = 600 – 1500 mm
04357	Additional arm fastening mechanism	-	L > 1000 H < 1200

Complete the window with all the hardware on pages 21–24



Tilt-and-turn

C.H.I.C.

FUTURA

Additional
hardware

Seals

FUTURA

Tilt-and-turn

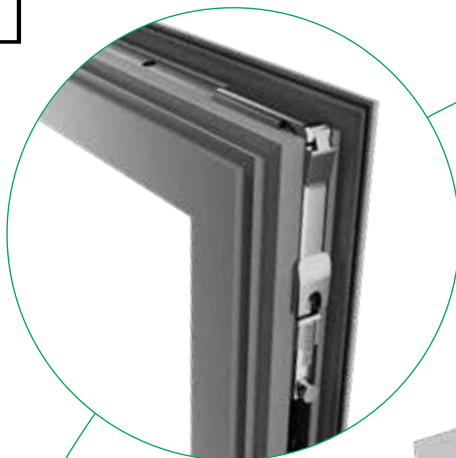
C.H.I.C.

FUTURA

Additional hardware

Seals

Corner drive



Window handle or cremone

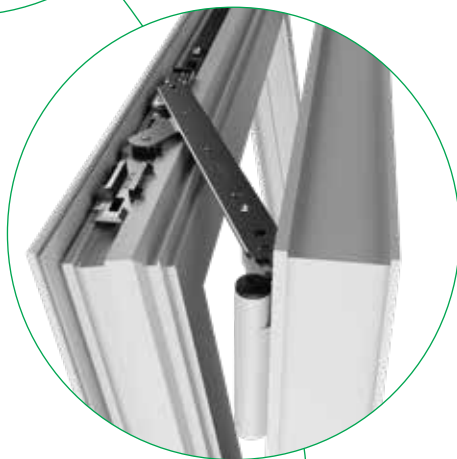


Double lift-proof striker





Arm



Top hinge set



**Fastening
striker**



Bottom hinge set

FUTURA 130

Euro Groove

FUTURA 130 is a complete hardware system for Euro Groove tilt-and-turn windows with load capacities up to 140 kg.



Load capacity
140 kg



Adjustments
Bottom side = ± 1 mm
Bottom height = $+1.5/-0.5$ mm
Bottom compression = ± 0.3 mm
Top side = $+3.5/-1.5$ mm
Top compression = ± 1.5 mm



Installation
The window can be installed on site in just a few steps.



Opening
Max 180°



Corrosion resistance
Grade 4 according to standard EN 1670 (>240h salt spray).



Go to the **technical datasheet**

Code	Description	Micro-ventilation	Range (mm)	Arm opening (mm)
04711	Futura 130 T/T hinges	-	-	-
04202	Futura Logica T/T T1 arm	No	L = 390 – 700	120
04203	Futura Logica T/T T2 arm	No	L = 701 – 1800	175
04222	Futura Logica T/T T2 arm (160 mm)	No	L = 701 – 1800	160
04284	Futura T/T T1 arm	Yes	L = 410 – 700	120
04285	Futura T/T T2 arm	Yes	L = 701 – 1800	175
04344	Futura Logica T/T T1 arm	Yes	L = 410 – 700	120
04345	Futura Logica T/T T2 arm	Yes	L = 701 – 1800	175
04353	Futura T0 arm	No	L = 350 – 410	120

Complete the window with all the hardware on pages 21–24

FUTURA R

R Groove

FUTURA R is a complete hardware system for R Groove tilt-and-turn windows with load capacities up to 110 kg.



Load capacity
110 kg



Adjustments
Bottom side = ± 1.2 mm
Bottom height = $+1.5/-0.5$ mm
Bottom compression = ± 0.3 mm
Top side = $+4/-2$ mm
Top compression = ± 1.5 mm



Installation
The installation of the door can take place on site in just a few steps.



Opening
Max 180°



Corrosion resistance
Grade 4 according to standard EN 1670 (>240h salt spray).



Go to the **technical datasheet**

Code	Description	Micro-ventilation	Range (mm)
04721	Futura R T/T hinges	-	-
04380	Futura R T/T T0 arm	No	L = 360 – 425
0422901	Futura R T/T T1 arm	Yes	L = 425 – 580
0423001	Futura R T/T T2 arm	Yes	L = 581 – 1700

Complete the window with all the hardware on pages 21–24

FUTURA 80 FLUSH

Euro Groove flush systems

FUTURA 80 Flush is a complete hardware system for Euro Groove tilt-and-turn windows with flush profiles.



Load capacity
80 kg



Adjustments
Bottom side = ± 1.5 mm
Bottom height = $+2.5/-1$ mm
Bottom compression = $+1.4/-0.6$ mm
Top side = $+3.5/-1.5$ mm
Top compression = ± 1.5 mm



Installation
The window can be installed on site in just a few steps.



Opening
Max 180°



Corrosion resistance
Grade 4 according to standard EN 1670 (>240h salt spray).



Go to the **technical datasheet**

Code	Description	Micro-ventilation	Range (mm)	Arm opening (mm)
04718	Futura 80 Flush T/T hinges	-	-	-
04202	Futura Logica T/T T1 arm	No	L = 390 – 700	120
04203	Futura Logica T/T T2 arm	No	L = 701 – 1800	175
04284	Futura micro T/T T1 arm	Yes	L = 390 – 700	120
04285	Futura micro T/T T2 arm	Yes	L = 701 – 1800	175
04344	Futura Logica micro T/T T1 arm	Yes	L = 390 – 700	120
04345	Futura Logica micro T/T T2 arm	Yes	L = 701 – 1800	175

Complete the window with all the hardware on pages 21–24

FUTURA A & F

Euro Groove

FUTURA A & F is the only complete system on the market specifically for making arched and sloping aluminium tilt-and-turn windows.



Load capacity

75 kg (depending on the window geometry)



Adjustments

Bottom side = ± 1 mm
Bottom height = $+1.5/-0.5$ mm
Bottom compression = ± 0.3 mm
Top side = $+2/-0$ mm
Top compression = ± 1.8 mm



Installation

The installation of the door can take place on site in just a few steps.



Opening

Max 180°



Corrosion resistance

Grade 4 according to standard EN 1670 (>240h salt spray).



Go to the **technical datasheet**

Code	Description	Micro-ventilation	Range (mm)
04671K	Futura Arch & Sloping T/T window mechanism	No	-
04023K	Variable corner drive	-	-
04301K	Additional arm	-	W > 1000

Complete the window with all the hardware on pages 21–24

TILT-AND-TURN ADDITIONAL HARDWARE

Fastening mechanisms

For use with C.H.I.C. or Futura hinges

Code	Description	Mechanism	System
04371	M 180 small backset fastening mechanism	Window handle / Supra7	Euro Groove
0470501	M 180 fastening mechanism	Window handle / Supra7	Euro Groove
0470701	Logica M 180 fastening mechanism	Window handle / Supra7	Euro Groove
04766N	M 180 fastening mechanism	Window handle / Supra7	R Groove
04704	Fastening mechanism	Cremone	Euro Groove
04767V	Fastening mechanism	Cremone	R Groove
04706N	Logica fastening mechanism	Cremone	Euro Groove
04768N	Logica fastening mechanism	Cremone	R Groove

BALCONY DOOR

Giese hinges **Futura** and concealed hinges **C.H.I.C.** can also be used on tilt-and-turn balcony doors, in combination with the appropriate one-way movement, lock (strength > 45 Nm) and double window handle.

This type of window can also be moved and closed from the outside.



Code	Description	Notes	System
00945	Mechanism	32 mm backset	Euro Groove
00946	Lock	32 mm backset	Euro Groove
00947	T/T mechanism with movement	Lock not included	Euro Groove

Additional arms

For use with C.H.I.C. or Futura hinges

Code	Description	Range (mm)	System
02030K	Friz stay limitation arm	see Giesse GTC	Euro Groove
02034K	Friz stay limitation arm	see Giesse GTC	R Groove
04301K	Additional arm	W > 1000	Euro Groove
04308K	Additional arm	W > 1000	R Groove

Additional fastening mechanisms

For use with C.H.I.C. or Futura hinges, except where otherwise specified in the description

Code	Description	Range (mm)	System
04770K	Additional fastening mechanism	H > 1200 W > 1000	Euro Groove
04648K	Additional vert./horiz. fastening mechanism GS999	H > 1200 W > 1000	R Groove
05287	Additional arm fastening mechanism C.H.I.C. 130 ERRE	H < 1200 L > 1000	R Groove
04777K	Additional Logica fastening mechanism	H > 1200 W > 1000	Euro Groove
04357	Additional arm fastening mechanism C.H.I.C.	H < 1200 L > 1000	Euro Groove

Corner drives

For use with C.H.I.C. or Futura hinges, except where otherwise specified in the description

Code	Description	System
04019K	Futura corner drive for 15/20 groove	Euro Groove
04023K	Futura A&F variable corner drive	Euro Groove
04024K	Burglar-proof corner drive	Euro Groove
04017K	Corner drive	R Groove

Additional hardware

For use with C.H.I.C. or Futura hinges, except where otherwise specified in the description

Code	Description	System
04014K	T/T drive rod	Euro Groove
04026K	T/T bolt tip	Euro Groove
04311	Sash opening lock	Euro Groove R Groove
04728	Futura 130 secondary sash adapter	Euro Groove

SKG products

For use with C.H.I.C. or Futura hinges

Code	Description	SKG**	SKG***	Notes
04007	Tilt-and-Turn window kit	✓	✓	
04000	Burglar-proof fastening mechanism	✓	✗	
04009	Burglar-proof fastening mechanism	✗	✓	
04107	Incorrect movement safety device	✗	✓	
04300	Additional arm	✓	✓	L >1000 mm
0119102	Prima microvent key capture cremone	✓	✓	
00960	Kora microvent key capture cremone	✓	✓	
0108501	Asia microvent key capture cremone	✓	✓	

Templates

Code	Description	System
03535	C.H.I.C. template	Euro Groove
05289	C.H.I.C. 100 Flush template	Euro Groove
03548	C.H.I.C. 130 ERRE template	R Groove
03520	Futura template	Euro Groove

TILT-AND-TURN MECHANISMS



PRIMA	ASIA	KORA	ARIA
Supra7 - window handle without rosette			
04155 standard 04397 double	04153 standard 04395 double	04154 standard 04396 double	04156 standard 04398 double
Window Handles			
02476 standard	02415 standard	00997 standard 00992 offset double 0099611 RH offset 0099621 LH offset 0304911 RH offset wide base 0304921 LH offset wide base	×
Cremones			
01159001 standard 01039 microvent 0119102 SKG microvent key 0114901 Logica key capture 01192 Logica key capture 01194 Logica microvent key capture 01209 long handle	01064 MP tilt-and-turn window 01084 microvent 01086 Logica key capture 01087 Logica microvent key capture 0108501 SKG microvent key 01079 + 01111 away 01196 with MP key	00959 microvent 00961 Logica key capture 00962 Logica microvent key capture 00960 SKG microvent key	×



REGUITTI

Discover the collections of **Reguitti** and **Reguitti inox** tilt-and-turn window handles



Seals



Tilt--turn window

C.H.I.C.

FUTURA

Additional hardware

Seals

Q-LON polyurethane foam weatherseals



The exclusive Q-LON seal is made from a special polyurethane foam contained in a weather resistant polyethylene film.

- Excellent recovery after compression, even at low temperatures
- The lowest thermal conductivity on the market (0.04 W/m·K at 0 °C)
- Low compression force required
- The outer film is not altered by paints, detergents and colourants
- High resistance to weather and UV rays
- Exceptional sound insulation performance
- Wide range of colours
- Fire retardant version available



Full **technical datasheet**

Extruded seals

Seals made in a range of extruded materials can be combined with foam seals.

- Very wide range of colours available
- Three different densities and materials for optimal performance
- Configurable geometries from the simplest to the most specific shapes



Full **technical datasheet**





Schlegel

High performance sealing solutions



GIESSE

Innovative engineered hardware



REGUITTI

Italian design handles



DATEC

Timeless exclusive handles



Quanex

GIESSE S.p.A. Via Tubertini 1, 40054 Budrio (BO), Italy
Tel: +39 051 8850000 | email: info.it@tyman.com



U1116001
06/2024